

TXROLLER

PRODUCT CATALOG



Hebei TongXiang Conveyor Machinery Co.,Ltd.
www.txroller.com

CONTENT

P01 Company Profile

P02 Photo Gallery

P03 Photo Gallery

CEMA B

P04 Troughing Idlers (Equal Length Rollers)

P05 Rubber Cushion Impact Troughing Idlers

P06 Return Idlers

P06 Flat Idlers

P06 Rubber Cushion Return Idlers

P07 Self-Aligning Troughing Idlers

P07 Self-Aligning Return Idlers

P08 Offset Center Roller Idlers

CEMA C

P09 Troughing Idlers (Equal Length Rollers) - 4" Diameter

P10 Troughing Idlers (Equal Length Rollers) - 5" Diameter

P11 Troughing Idlers (Equal Length Rollers) - 6" Diameter

P12 Return Idlers

P12 Flat Idlers

P13 Rubber Cushion Impact Troughing Idlers - 4" Diameter

P14 Rubber Cushion Impact Troughing Idlers - 5" Diameter

P15 Rubber Cushion Impact Troughing Idlers - 6" Diameter

P16 Rubber Cushion Return Idlers

P16 Self-Aligning Return Idlers

P17 Self-Aligning Troughing Idlers - 4" Diameter

P18 Self-Aligning Troughing Idlers - 5" Diameter

P19 Self-Aligning Troughing Idlers - 6" Diameter

P20 Troughing Idlers (Unequal Length Rollers)

P21 Offset Center Roller Idlers

P22 Feeder / Picking Troughing Idlers

P23 Low Profile Channel Mount - 4" & 5" Diameter

P24 Low Profile Standard Mount - 4" & 5" Diameter

CEMA D

P25 Troughing Idlers (Equal Length Rollers)

P26 Return Idlers

P26 Flat Idlers

P27 Rubber Cushion Impact Troughing Idlers

P28 Rubber Cushion Return Idlers

P28 Rubber Cushion Flat Idlers

P29 Self-Aligning Troughing Idlers

P30 Self-Aligning Return Idlers

P30 Feeder / Picking Troughing Idlers

P31 Troughing Idlers (Unequal Length Rollers)

CEMA E

P32 Troughing Idlers (Equal Length Rollers)

P33 Rubber Cushion Impact Troughing Idlers

P33 Rubber Cushion Return Idlers

P34 Self-Aligning Troughing Idlers

P35 Return Idlers

P35 Rubber Cushion Flat Idlers

P35 Flat Idlers

P35 Return Aligning Idlers

P36 CEMA B & CEMA C Replacement Idler Rollers

P37 CEMA D & CEMA E Replacement Idler Rollers





TX Roller

Hebei TongXiang Conveyor Machinery Co.,Ltd.

TX ROLLER, < Hebei TongXiang Conveyor Machinery CO.,LTD >, established in 2008, manufacture conveyor rollers and components, including Idler rollers, Pulleys, Roller frames, Belt cleaner, Impact bed & bar, widely used for bulk material handling system.

In addition, TX ROLLER offer OEM service too. We can fabricate and manufacture rollers according to technical drawings or standard, i.e., JIS, CEMA, DIN, SABS, Australian standard. With more than ten years' production experience and professional engineers, we can meet each client's requirements. TX Roller have been exported to many countries, including USA, Canada, UK, Germany, Italy, France, Denmark, Greece, Mexico, Chile, Australia, Thailand, Indonesia, South Africa, U.A.E., Saudi Arabia, Russia, Kazakhstan.....and received a good feedback from clients and built a long term cooperation relationship.

Together, we make it better.

TXROLLER

PRODUCT DISPLAY



STEEL ROLLER



HDPE ROLLER



CARRIER ROLLER



RUBBER DISC ROLLER



TROUGHING CARRIER ROLLER



SELF ALIGNING CARRIER ROLLER



TROUGHING IMPACT ROLLER



TX Roller

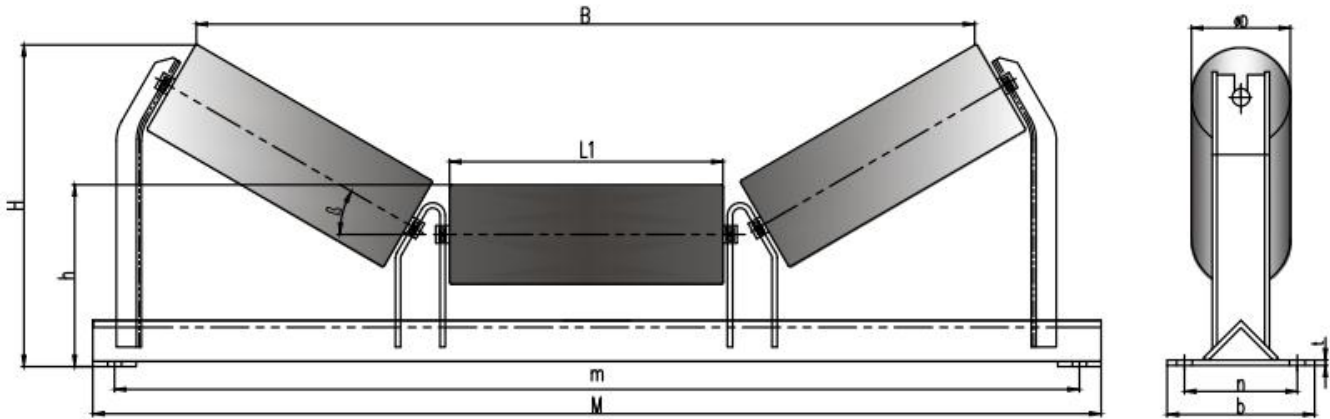
Hebei TongXiang Conveyor Machinery Co.,Ltd.

Add: No.8 Chuangye Road, Zaoqiang County, Hengshui City, Hebei Province,China 053000

Tel: +86-311-6656 0874 / 6656 0831

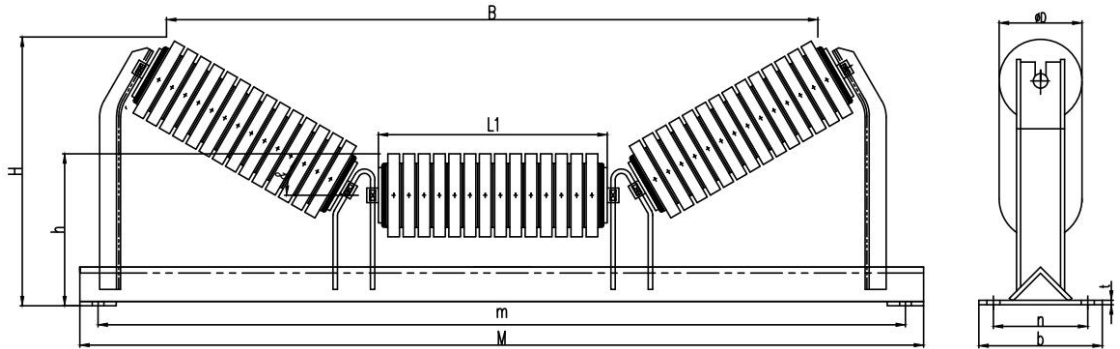
Mobile: +86-136 0321 6223

TROUGHING IDLERS (EQUAL LENGTH ROLLERS - 4" & 5" DIAMETER)



	PART NUMBER		BW	m	h		L1	B		t	H		M	n	b	Bolt
	4"	5"			4"	5"		4"	5"		4"	5"				
20°	B4-20E-14	B5-20E-14	14	23	7	7.5	6	17.69	17.25	0.1875	9.00	9.38	25	6	8	0.5
	B4-20E-16	B5-20E-16	16	25	7	7.5	6	17.69	17.25	0.1875	9.00	9.38	27	6	8	0.5
	B4-20E-18	B5-20E-18	18	27	7	7.5	7	21.69	20.75	0.1875	9.38	9.50	29	6	8	0.5
	B4-20E-20	B5-20E-20	20	29	7	7.5	8	22.88	22.56	0.1875	9.63	10.06	31	6	8	0.5
	B4-20E-24	B5-20E-24	24	33	7	7.5	9	27.38	27.06	0.1875	10.06	10.63	35	6	8	0.5
	B4-20E-30	B5-20E-30	30	39	7	7.5	11	33.69	33.31	0.1875	10.94	11.38	41	6	8	0.5
	B4-20E-36	B5-20E-36	36	45	7	7.5	13	39.75	39.44	0.1875	11.63	12.13	47	6	8	0.5
	B4-20E-42	B5-20E-42	42	51	7.5	8	15	45.56	45.25	0.2500	12.69	13.13	53	7.5	9.5	0.625
	B4-20E-48	B5-20E-48	48	57	7.5	8	17	51.69	51.31	0.2500	13.38	13.88	59	7.5	9.5	0.625
35°	B4-35E-18	B5-35E-18	18	27	7	7.5	7	19.31	18.69	0.1875	11.00	11.44	29	6	8	0.5
	B4-35E-20	B5-35E-20	20	29	7	7.5	8	20.94	20.38	0.1875	11.38	11.81	31	6	8	0.5
	B4-35E-24	B5-35E-24	24	33	7	7.5	9	25.06	24.50	0.1875	12.31	12.69	35	6	8	0.5
	B4-35E-30	B5-35E-30	30	39	7	7.5	11	30.81	30.25	0.1875	13.56	14.00	41	6	8	0.5
	B4-35E-36	B5-35E-36	36	45	7	7.5	13	36.44	35.88	0.1875	14.81	15.19	47	6	8	0.5
	B4-35E-42	B5-35E-42	42	51	7.5	8	15	41.69	41.25	0.2500	16.38	16.81	53	7.5	9.5	0.625
	B4-35E-48	B5-35E-48	48	57	7.5	8	17	47.31	48.31	0.2500	17.63	18.00	59	7.5	9.5	0.625
	45°	B4-45E-18	B5-45E-18	18	27	7	7.5	7	18.00	17.31	0.1875	12.06	12.44	29	6	8
B4-45E-20		B5-45E-20	20	29	7	7.5	8	19.50	18.72	0.1875	12.50	12.81	31	6	8	0.5
B4-45E-24		B5-45E-24	24	33	7	7.5	9	23.31	22.56	0.1875	13.56	13.94	35	6	8	0.5
B4-45E-30		B5-45E-30	30	39	7	7.5	11	28.56	27.88	0.1875	15.19	15.50	41	6	8	0.5
B4-45E-36		B5-45E-36	36	45	7	7.5	13	33.69	33.00	0.1875	16.69	17.00	47	6	8	0.5
B4-45E-42		B5-45E-42	42	51	7.5	8	15	38.50	37.81	0.2500	18.56	18.88	53	7.5	9.5	0.625
B4-45E-48		B5-45E-48	48	57	7.5	8	17	43.63	42.94	0.2500	19.56	20.38	59	7.5	9.5	0.625

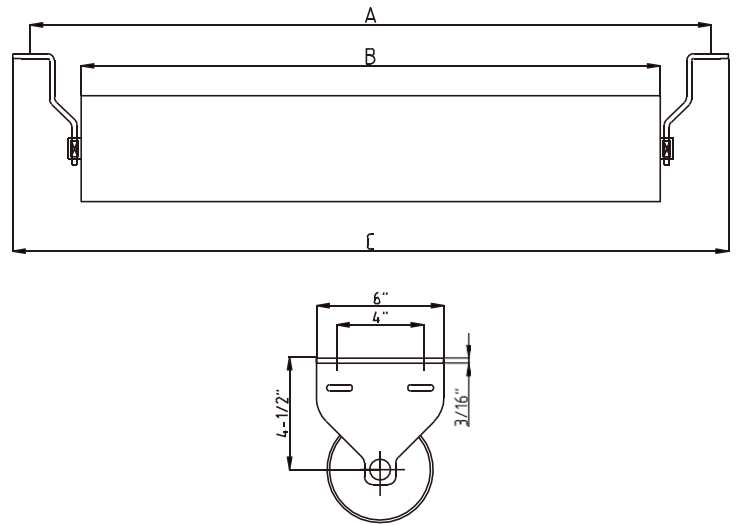
RUBBER CUSHION IMPACT TROUGHING IDLERS-4" & 5" DIAMETER



	PART NUMBER		BW	m	h		L1	B		t	H		M	n	b	Bolt
	4"	5"			4"	5"		4"	5"		4"	5"				
20°	B4-20EI-18	B5-20EI-18	18	27	7	7.5	7	20.56	20.25	0.1875	9.25	9.38	29	6	8	0.5
	B4-20EI-20	B5-20EI-20	20	29	7	7.5	8	22.38	22.06	0.1875	9.50	9.94	31	6	8	0.5
	B4-20EI-24	B5-20EI-24	24	33	7	7.5	9	26.88	26.56	0.1875	9.94	10.50	35	6	8	0.5
	B4-20EI-30	B5-20EI-30	30	39	7	7.5	11	33.19	32.81	0.1875	10.81	11.25	41	6	8	0.5
	B4-20EI-36	B5-20EI-36	36	45	7	7.5	13	39.25	38.94	0.1875	11.50	12.00	47	6	8	0.5
	B4-20EI-42	B5-20EI-42	42	51	7.5	8	15	45.06	44.75	0.2500	12.56	13.00	53	7.5	9.5	0.625
	B4-20EI-48	B5-20EI-48	48	57	7.5	8	17	51.19	50.81	0.2500	13.25	13.75	59	7.5	9.5	0.625
35°	B4-35EI-18	B5-35EI-18	18	27	7	7.5	7	18.94	18.31	0.1875	10.88	11.31	29	6	8	0.5
	B4-35EI-20	B5-35EI-20	20	29	7	7.5	8	20.56	20.00	0.1875	11.25	11.06	31	6	8	0.5
	B4-35EI-24	B5-35EI-24	24	33	7	7.5	9	24.69	24.13	0.1875	12.19	12.56	35	6	8	0.5
	B4-35EI-30	B5-35EI-30	30	39	7	7.5	11	30.44	29.88	0.1875	13.44	13.88	41	6	8	0.5
	B4-35EI-36	B5-35EI-36	36	45	7	7.5	13	36.06	35.50	0.1875	14.69	15.06	47	6	8	0.5
	B4-35EI-42	B5-35EI-42	42	51	7.5	8	15	41.31	40.75	0.2500	16.25	16.69	53	7.5	9.5	0.625
	B4-35EI-48	B5-35EI-48	48	57	7.5	8	17	46.94	46.38	0.2500	17.50	17.88	59	7.5	9.5	0.625
45°	B4-45EI-18	B5-45EI-18	18	27	7	7.5	7	17.63	16.94	0.1875	11.88	12.69	29	6	8	0.5
	B4-45EI-20	B5-45EI-20	20	29	7	7.5	8	19.13	18.44	0.1875	12.31	12.63	31	6	8	0.5
	B4-45EI-24	B5-45EI-24	24	33	7	7.5	9	22.94	22.19	0.1875	13.38	13.75	35	6	8	0.5
	B4-45EI-30	B5-45EI-30	30	39	7	7.5	11	27.94	27.50	0.1875	15.00	15.31	41	6	8	0.5
	B4-45EI-36	B5-45EI-36	36	45	7	7.5	13	33.31	32.63	0.1875	16.50	16.81	47	6	8	0.5
	B4-45EI-42	B5-45EI-42	42	51	7.5	8	15	38.13	37.44	0.2500	18.38	18.69	53	7.5	9.5	0.625
	B4-45EI-48	B5-45EI-48	48	57	7.5	8	17	43.25	42.56	5/16	19.38	20.19	59	7.5	9.5	0.625

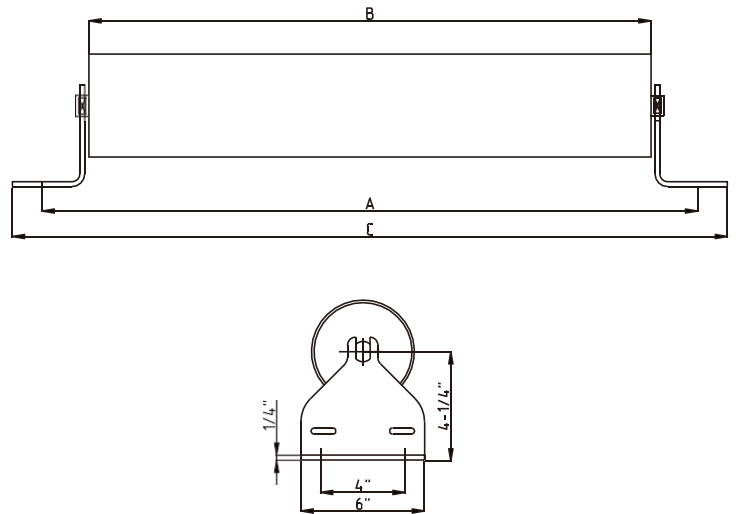
RETURN IDLER - 4" & 5" DIAMETER

PART NUMBER		BW	A	B	C
4"	5"				
B4-RET-14	B5-RET-14	14	23	17	25
B4-RET-16	B5-RET-16	16	25	19	27
B4-RET-18	B5-RET-18	18	27	21	29
B4-RET-20	B5-RET-20	20	29	23	31
B4-RET-24	B5-RET-24	24	33	27	35
B4-RET-30	B5-RET-30	30	39	33	41
B4-RET-36	B5-RET-36	36	45	39	47
B4-RET-42	B5-RET-42	42	51	45	53
B4-RET-48	B5-RET-48	48	57	51	59



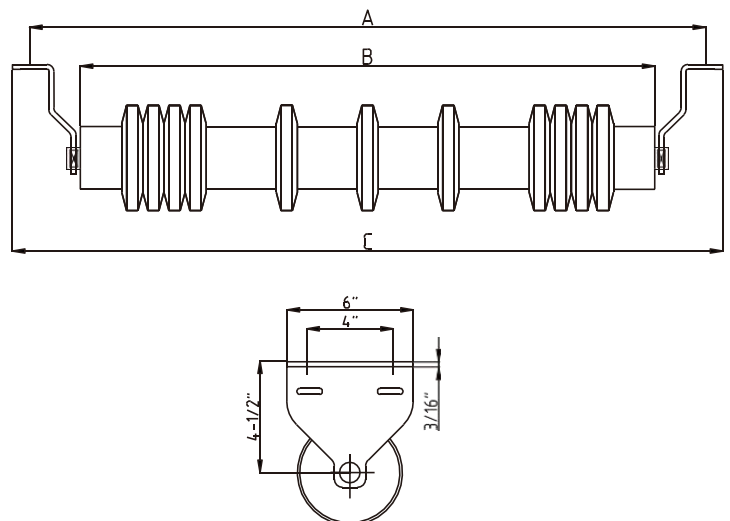
FLAT IDLERS - 4" & 5" DIAMETER

PART NUMBER		BW	A	B	C
4"	5"				
B4-FLT-14	B5-FLT-14	14	23	17	25
B4-FLT-16	B5-FLT-16	16	25	19	27
B4-FLT-18	B5-FLT-18	18	27	21	29
B4-FLT-20	B5-FLT-20	20	29	23	31
B4-FLT-24	B5-FLT-24	24	33	27	35
B4-FLT-30	B5-FLT-30	30	39	33	41
B4-FLT-36	B5-FLT-36	36	45	39	47
B4-FLT-42	B5-FLT-42	42	51	45	53
B4-FLT-48	B5-FLT-48	48	57	51	59

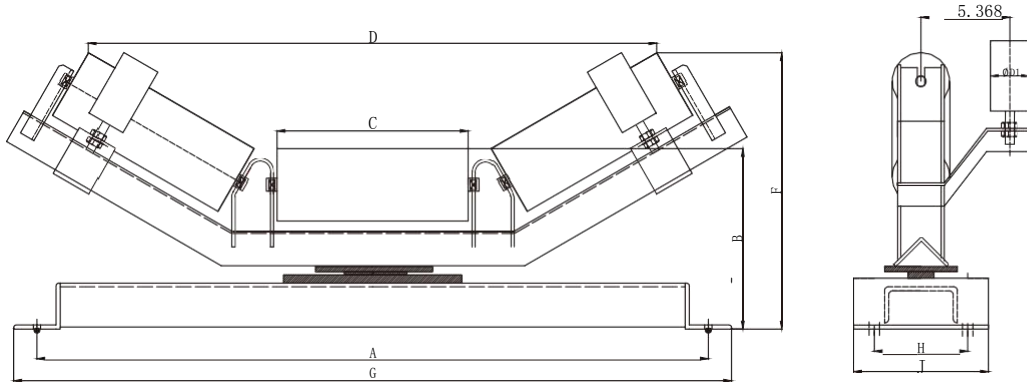


RUBBER CUSHION RETURN IDLERS - 4" & 5" DIAMETER

PART NUMBER		BW	A	B	C
4"	5"				
B4-RETI-18	B5-RETI-18	18	27	21	29
B4-RETI-24	B5-RETI-24	24	33	27	35
B4-RETI-30	B5-RETI-30	30	39	33	41
B4-RETI-36	B5-RETI-36	36	45	39	47
B4-RETI-42	B5-RETI-42	42	51	45	53
B4-RETI-48	B5-RETI-48	48	57	51	59

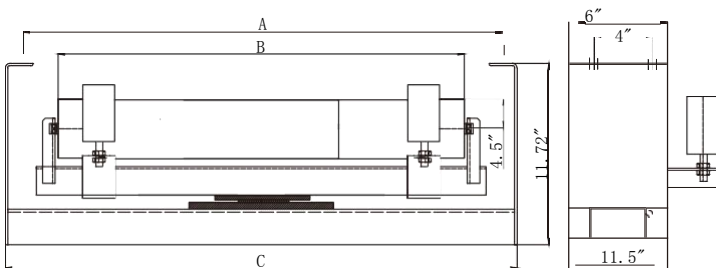


SELF-ALIGNING TROUGHING IDLERS - 4" & 5" DIAMETER



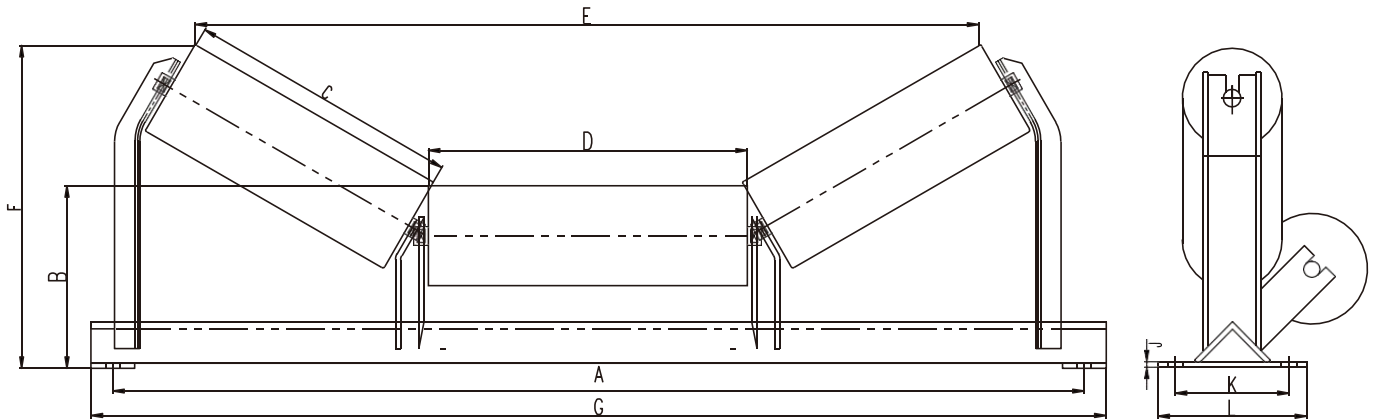
	PART NUMBER		BW	A	B		C	D		F		G	H	J	K
	4"	5"			4"	5"		4"	5"	4"	5"				
	20°	B4-20EA-18			B5-20EA-18	18		27	8.9	9.4	7				
	B4-20EA-24	B5-20EA-24	24	33	8.9	9.4	9	27.69	27.38	12.13	12.56	35	6	11.5	0.625
	B4-20EA-30	B5-20EA-30	30	39	8.9	9.4	11	33.44	33.13	12.88	13.31	41	6	11.5	0.625
	B4-20EA-36	B5-20EA-36	36	45	8.9	9.4	13	39.19	38.88	13.56	14.00	47	6	11.5	0.625
	B4-20EA-42	B5-20EA-42	42	51	9.3	9.8	15	44.94	44.63	14.63	15.06	53	6	11.5	0.625
	B4-20EA-48	B5-20EA-48	48	57	9.3	9.8	17	50.69	50.38	15.31	15.75	59	6	11.5	0.625
35°	B4-35EA-18	B5-35EA-18	18	27	8.9	9.4	7	19.31	18.69	12.94	13.50	29	6	11.5	0.625
	B4-35EA-24	B5-35EA-24	24	33	8.9	9.4	9	25.06	24.50	14.13	14.69	35	6	11.5	0.625
	B4-35EA-30	B5-35EA-30	30	39	8.9	9.4	11	30.81	30.25	15.31	15.88	41	6	11.5	0.625
	B4-35EA-36	B5-35EA-36	36	45	8.9	9.4	13	36.44	35.88	16.44	17.00	47	6	11.5	0.625
	B4-35EA-42	B5-35EA-42	42	51	9.3	9.8	15	41.69	41.25	17.94	18.50	53	6	11.5	0.625
	B4-35EA-48	B5-35EA-48	48	57	9.3	9.8	17	47.31	46.87	19.13	19.69	59	6	11.5	0.625
45°	B4-45EA-18	B5-45EA-18	18	27	8.9	9.4	7	18.00	17.94	14.13	14.50	29	6	11.5	0.625
	B4-45EA-24	B5-45EA-24	24	33	8.9	9.4	9	23.31	22.56	15.56	15.94	35	6	11.5	0.625
	B4-45EA-30	B5-45EA-30	30	39	8.9	9.4	11	28.56	27.88	17.00	17.38	41	6	11.5	0.625
	B4-45EA-36	B5-45EA-36	36	45	8.9	9.4	13	33.69	33.00	18.38	18.75	47	6	11.5	0.625
	B4-45EA-42	B5-45EA-42	42	51	9.3	9.8	15	38.50	37.81	20.19	20.56	53	6	11.5	0.625
	B4-45EA-48	B5-45EA-48	48	57	9.3	9.8	17	43.63	42.94	21.63	22.00	59	6	11.5	0.625

SELF-ALIGNING RETURN IDLERS-4" & 5" DIAMETER



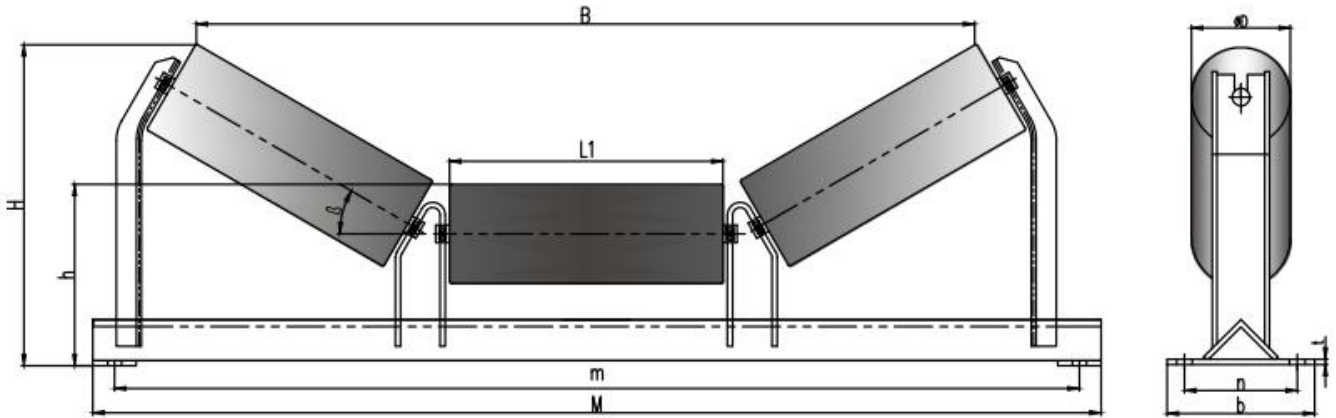
PART NUMBER		BW	A	B	C
4"	5"				
B4-RETA-18	B5-RETA-18	18	27	21	30
B4-RETA-24	B5-RETA-24	24	33	27	36
B4-RETA-30	B5-RETA-30	30	39	33	42
B4-RETA-36	B5-RETA-36	36	45	39	48
B4-RETA-42	B5-RETA-42	42	51	45	54
B4-RETA-48	B5-RETA-48	48	57	51	59

OFFSET CENTER ROLLER IDLERS - 4" & 5" DIAMETER



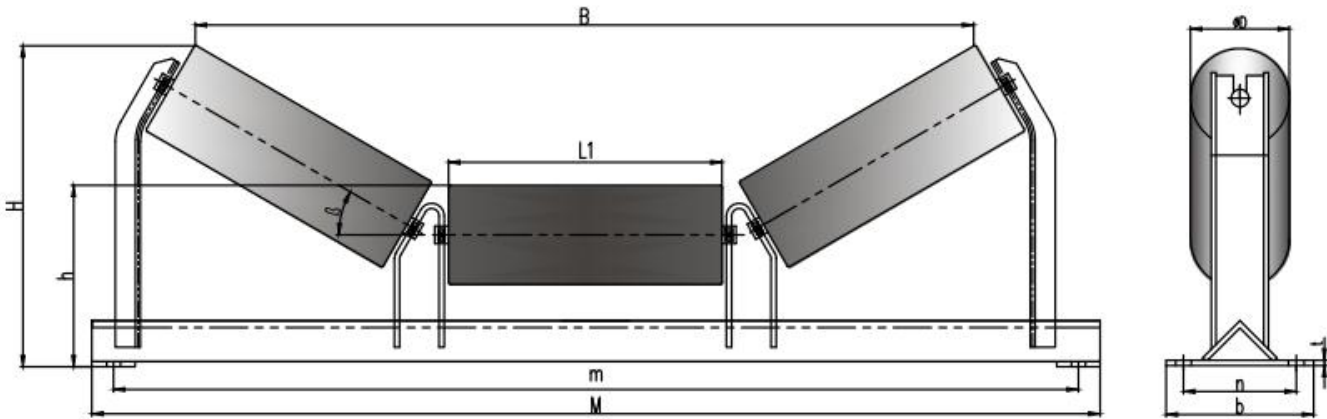
	PART NUMBER		BW	A	B		C	D	E		F		G	Bolt	J	K	L
	4"	5"			4"	5"			4"	5"							
20°	B4-2GO-18	B5-20GO-18	18	27	7	7.5	7	9	21.06	21.88	9.38	9.19	29	0.5	0.1875	6	8
	B4-20GO-24	B5-20GO-24	24	33	7	7.5	9	11	27.50	27.06	10.06	10.63	35	0.5	0.1875	6	8
	B4-20GO-30	B5-20GO-30	30	39	7	7.5	11	13	33.25	33.31	10.94	10.63	41	0.5	0.1875	6	8
	B4-20GO-36	B5-20GO-36	36	45	7	7.5	13	15	39.00	38.69	11.63	12.13	47	0.5	0.1875	6	8
	B4-20GO-42	B5-20GO-42	42	51	7.5	8	15	17	44.75	44.44	12.69	13.13	53	0.625	0.1875	6	8
	B4-20GO-48	B5-20GO-48	48	57	7.5	8	17	19	50.50	50.19	13.38	13.88	59	0.625	0.1875	6	8
35°	B4-35GO-18	B5-35GO-18	18	27	7	7.5	7	9	19.50	19.00	11.00	11.44	29	0.5	0.1875	6	8
	B4-35GO-24	B5-35GO-24	24	33	7	7.5	9	11	24.81	24.50	12.31	12.69	35	0.5	0.25	6	8
	B4-35GO-30	B5-35GO-30	30	39	7	7.5	11	13	30.06	29.50	13.56	14.00	41	0.5	0.25	6	8
	B4-35GO-36	B5-35GO-36	36	45	7	7.5	13	15	35.31	34.81	14.81	15.19	47	0.5	0.25	6	8
	B4-35GO-42	B5-35GO-42	42	51	7.5	8	15	17	40.63	40.06	16.38	16.50	53	0.625	0.25	6	8
	B4-35GO-48	B5-35GO-48	48	57	7.5	8	17	19	45.88	45.38	17.31	17.69	59	0.625	0.25	6	8
45°	B4-45GO-18	B5-45GO-18	18	27	7	7.5	7	9	18.00	17.31	12.06	12.44	29	0.5	0.25	6	8
	B4-45GO-24	B5-45GO-24	24	33	7	7.5	9	11	22.94	22.25	13.56	13.94	35	0.5	0.25	6	8
	B4-45GO-30	B5-45GO-30	30	39	7	7.5	11	13	27.75	27.13	14.81	15.13	41	0.5	0.25	6	8
	B4-45GO-36	B5-45GO-36	36	45	7	7.5	13	15	32.56	31.94	16.19	16.56	47	0.5	0.25	6	8
	B4-45GO-42	B5-45GO-42	42	51	7.5	8	15	17	37.19	36.75	18.00	18.31	53	0.625	0.25	6	8
	B4-45GO-48	B5-45GO-48	48	57	7.5	8	17	19	42.25	41.44	19.56	19.75	59	0.625	0.25	6	8

TROUGHING IDLERS (EQUAL LENGTH ROLLERS) - 4" DIAMETER



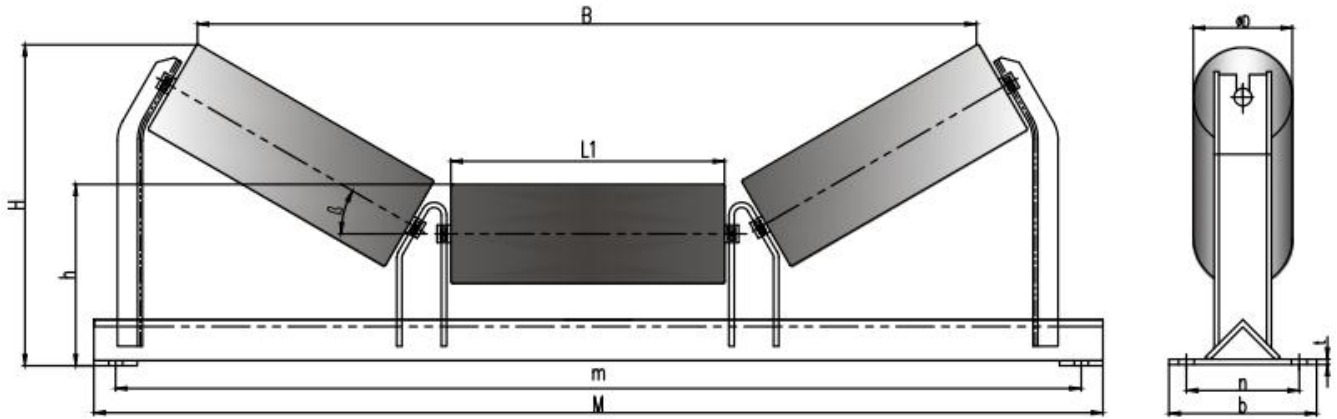
	PART NUMBER	BW	m	h	L1	B	t	H	M	n	b	Bolt
20°	C4-20E-18	18	27	8	7	22.19	0.25	10.50	29	6	8	0.5
	C4-20E-24	24	33	8	9	27.84	0.3125	11.19	35	6	9.5	0.625
	C4-20E-30	30	39	8	11	33.69	0.3125	11.81	41	6	9.5	0.625
	C4-20E-36	36	45	8	13	39.44	0.3125	12.63	47	6	9.5	0.625
	C4-20E-42	42	51	8.5	15	45.19	0.3125	13.81	53	7.5	9.5	0.625
	C4-20E-48	48	57	8.5	17	51.00	0.3125	14.38	59	7.5	9.5	0.625
	C4-20E-54	54	63	8.5	19	56.75	0.375	15.13	65.5	9	11	0.625
	C4-20E-60	60	69	8.5	21	62.50	0.375	15.75	71.5	9	11	0.625
35°	C4-35E-18	18	27	8	7	20.00	0.25	12.25	29	6	8	0.5
	C4-35E-24	24	33	8	9	25.31	0.3125	13.38	35	6	9.5	0.625
	C4-35E-30	30	39	8	11	30.56	0.3125	14.56	41	6	9.5	0.625
	C4-35E-36	36	45	8	13	35.81	0.3125	15.69	47	6	9.5	0.625
	C4-35E-42	42	51	8.5	15	41.13	0.3125	17.31	53	7.5	9.5	0.625
	C4-35E-48	48	57	8.5	17	46.38	0.3125	18.44	59	7.5	9.5	0.625
	C4-35E-54	54	63	8.5	19	51.69	0.375	19.63	65.5	9	11	0.625
	C4-35E-60	60	69	8.5	21	56.94	0.375	20.75	71.5	9	11	0.625
45°	C4-45E-18	18	27	8	7	18.63	0.25	13.31	29	6	8	0.5
	C4-45E-24	24	33	8	9	22.19	0.3125	14.69	35	6	9.5	0.625
	C4-45E-30	30	39	8	11	27.69	0.3125	16.81	41	6	9.5	0.625
	C4-45E-36	36	45	8	13	31.88	0.3125	18.19	47	6	9.5	0.625
	C4-45E-42	42	51	8.5	15	36.69	0.3125	20.00	53	7.5	9.5	0.625
	C4-45E-48	48	57	8.5	17	41.50	0.3125	21.44	59	7.5	9.5	0.625
	C4-45E-54	54	63	8.5	19	46.50	0.375	23.25	65.5	9	11	0.625
	C4-45E-60	60	69	8.5	21	51.19	0.375	24.63	71.5	9	11	0.625

TROUGHING IDLERS (EQUAL LENGTH ROLLERS) - 5" DIAMETER



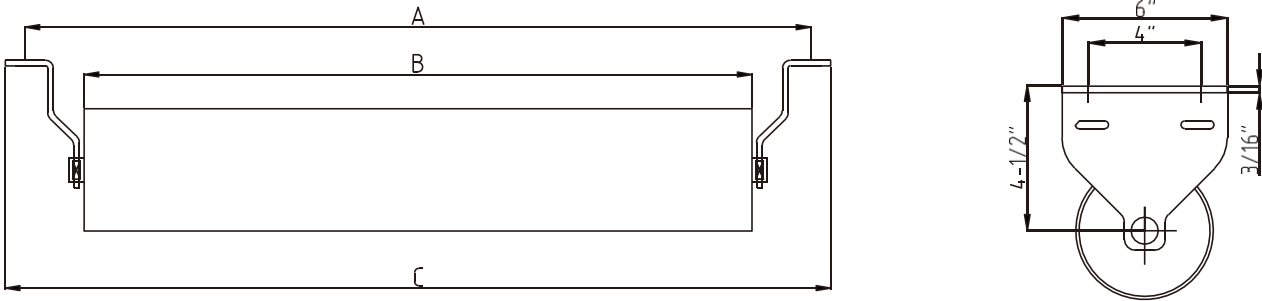
	PART NUMBER	BW	m	h	L1	B	t	H	M	n	b	Bolt
20°	C5-20E-18	18	27	8.5	7	21.88	0.25	11.00	29	6	8	0.5
	C5-20E-24	24	33	8.5	9	27.88	0.3125	11.69	35	6	9.5	0.625
	C5-20E-30	30	39	8.5	11	33.38	0.3125	12.38	41	6	9.5	0.625
	C5-20E-36	36	45	8.5	13	39.13	0.3125	13.06	47	6	9.5	0.625
	C5-20E-42	42	51	9	15	44.88	0.3125	14.19	53	7.5	9.5	0.625
	C5-20E-48	48	57	9	17	50.63	0.3125	14.88	59	7.5	9.5	0.625
	C5-20E-54	54	63	9	19	56.44	0.375	15.75	65	9	11	0.625
	C5-20E-60	60	69	9	21	62.19	0.375	16.50	71.5	9	11	0.625
35°	C5-35E-18	18	27	8.5	7	19.44	0.25	12.38	29	6	8	0.5
	C5-35E-24	24	33	8.5	9	24.69	0.3125	13.81	35	6	9.5	0.625
	C5-35E-30	30	39	8.5	11	30.00	0.3125	14.81	41	6	9.5	0.625
	C5-35E-36	36	45	8.5	13	35.25	0.3125	16.13	47	6	9.5	0.625
	C5-35E-42	42	51	9	15	40.56	0.3125	17.69	53	7.5	9.5	0.625
	C5-35E-48	48	57	9	17	45.81	0.3125	18.88	59	7.5	9.5	0.625
	C5-35E-54	54	63	9	19	51.13	0.375	20.00	65.5	9	11	0.625
	C5-35E-60	60	69	9	21	56.38	0.375	21.19	71.5	9	11	0.625
45°	C5-45E-18	18	27	8.5	7	17.94	0.25	13.38	29	6	8	0.5
	C5-45E-24	24	33	8.5	9	22.75	0.3125	15.06	35	6	9.5	0.625
	C5-45E-20	30	39	8.5	11	27.63	0.3125	16.44	41	6	9.5	0.625
	C5-45E-36	36	45	8.5	13	32.44	0.3125	17.81	47	6	9.5	0.625
	C5-45E-42	42	51	9	15	37.25	0.3125	19.63	53	7.5	9.5	0.625
	C5-45E-48	48	57	9	17	42.06	0.3125	21.19	59	7.5	9.5	0.625
	C5-45E-54	54	63	9	19	46.94	0.375	22.88	65.5	9	11	0.625
	C5-45E-60	60	69	9	21	51.75	0.375	24.06	71.5	9	11	0.625

TROUGHING IDLERS (EQUAL LENGTH ROLLERS) - 6" DIAMETER



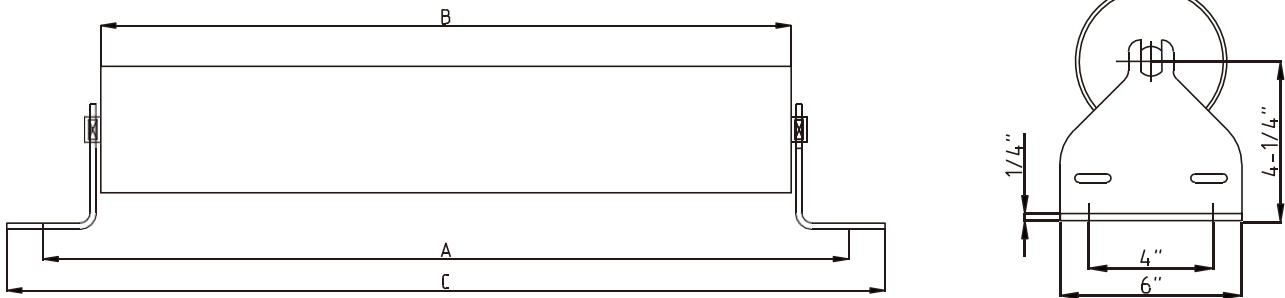
	PART NUMBER	BW	m	h	L1	B	t	H	M	n	b	Bolt
20°	C6-20E-18	18	27	9	7	21.56	0.25	11.44	29	6	8	0.5
	C6-20E-24	24	33	9	9	27.31	0.3125	12.13	35	6	9.5	0.625
	C6-20E-30	30	39	9	11	33.06	0.3125	12.88	41	6	9.5	0.625
	C6-20E-36	36	45	9	13	38.81	0.3125	13.56	47	6	9.5	0.625
	C6-20E-42	42	51	9.5	15	44.56	0.3125	14.69	53	7.5	9.5	0.625
	C6-20E-48	48	57	9.5	17	50.31	0.3125	15.38	59	7.5	9.5	0.625
	C6-20E-54	54	63	9.5	19	56.06	0.375	16.13	65	9	11	0.625
	C6-20E-60	60	69	9.5	21	61.88	0.375	16.75	71.5	9	11	0.625
35°	C6-35E-18	18	27	9	7	18.88	0.25	13.06	29	6	8	0.5
	C6-35E-24	24	33	9	9	24.13	0.3125	14.19	35	6	9.5	0.625
	C6-35E-30	30	39	9	11	29.44	0.3125	15.38	41	6	9.5	0.625
	C6-35E-36	36	45	9	13	34.69	0.3125	16.50	47	6	9.5	0.625
	C6-35E-42	42	51	9.5	15	40.00	0.3125	18.13	53	7.5	9.5	0.625
	C6-35E-48	48	57	9.5	17	45.25	0.3125	19.25	59	7.5	9.5	0.625
	C6-35E-54	54	63	9.5	19	50.50	0.375	20.44	65	9	11	0.625
	C6-35E-60	60	69	9.5	21	55.81	0.375	21.56	71.5	9	11	0.625
45°	C6-45E-18	18	27	9	7	17.25	0.25	14.00	29	6	8	0.5
	C6-45E-24	24	33	9	9	22.06	0.3125	15.44	35	6	9.5	0.625
	C6-45E-30	30	39	9	11	26.88	0.3125	16.88	41	6	9.5	0.625
	C6-45E-36	36	45	9	13	31.75	0.3125	18.25	47	6	9.5	0.625
	C6-45E-42	42	51	9.5	15	36.56	0.3125	20.13	53	7.5	9.5	0.625
	C6-45E-48	48	57	9.5	17	41.38	0.3125	21.56	59	7.5	9.5	0.625
	C6-45E-54	54	63	9.5	19	46.19	0.375	23.00	65.5	9	11	0.625
	C6-45E-60	60	69	9.5	21	51.00	0.375	24.38	71.5	9	11	0.625

RETURN IDLERS - 4" 5" 6" DIAMETER



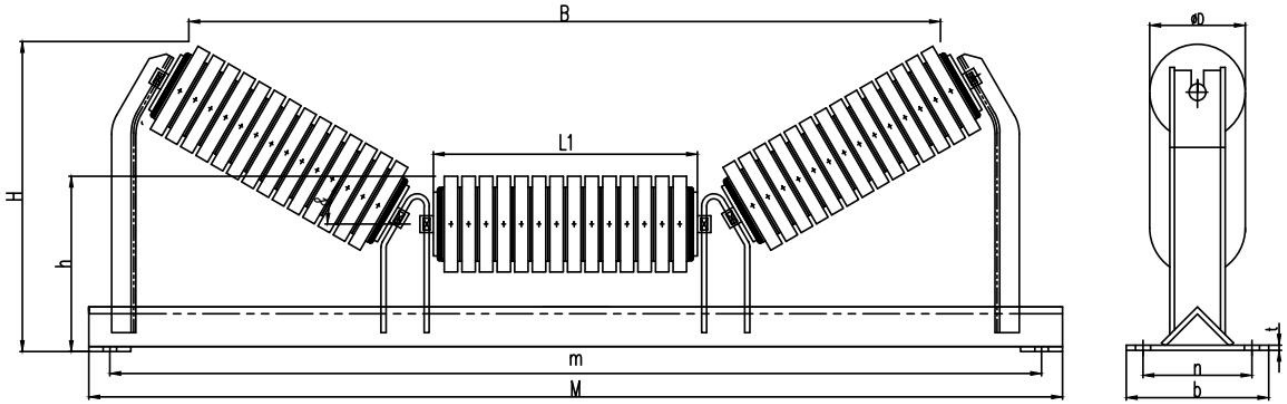
RETURN IDLER 4" PART NUMBER	RETURN IDLER 5" PART NUMBER	RETURN IDLER 6" PART NUMBER	BW	A	B	C
C4-RET-18	C5-RET-18	C6-RET-18	18	27	21	29
C4-RET-24	C5-RET-24	C6-RET-24	24	33	27	35
C4-RET-30	C5-RET-30	C6-RET-30	30	39	33	41
C4-RET-36	C5-RET-36	C6-RET-36	36	45	39	47
C4-RET-42	C5-RET-42	C6-RET-42	42	51	45	53
C4-RET-48	C5-RET-48	C6-RET-48	48	57	51	59
C4-RET-54	C5-RET-54	C6-RET-54	54	63	57	65
C4-RET-60	C5-RET-60	C6-RET-60	60	69	63	71

FLAT IDLERS - 4" 5" 6" DIAMETER



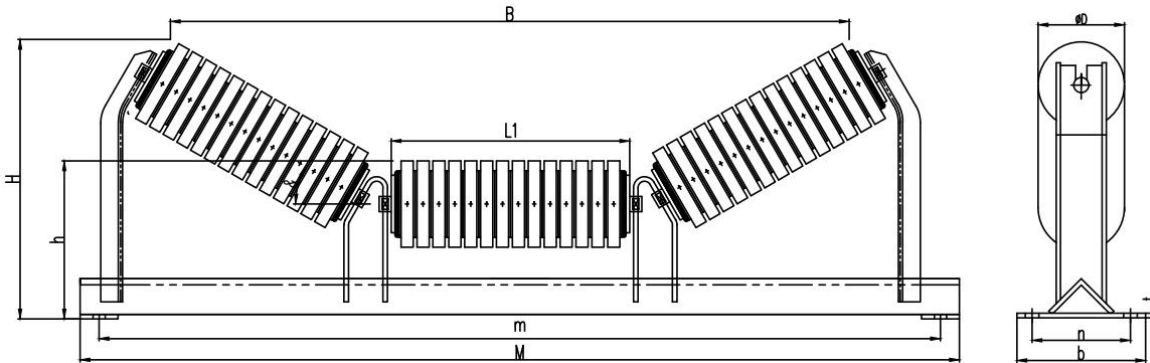
FLAT IDLERS 4" PART NUMBER	FLAT IDLERS 5" PART NUMBER	FLAT IDLERS 6" PART NUMBER	BW	A	B	C
C4-FLT-18	C5-FLT-18	C6-FLT-18	18	27	21	29
C4-FLT-24	C5-FLT-24	C6-FLT-24	24	33	27	35
C4-FLT-30	C5-FLT-30	C6-FLT-30	30	39	33	41
C4-FLT-36	C5-FLT-36	C6-FLT-36	36	45	39	47
C4-FLT-42	C5-FLT-42	C6-FLT-42	42	51	45	53
C4-FLT-48	C5-FLT-48	C6-FLT-48	48	57	51	59
C4-FLT-54	C5-FLT-54	C6-FLT-54	54	63	57	65
C4-FLT-60	C5-FLT-60	C6-FLT-60	60	69	63	71

RUBBER CUSHION IMPACT TROUGHING IDLERS - 4" DIAMETER



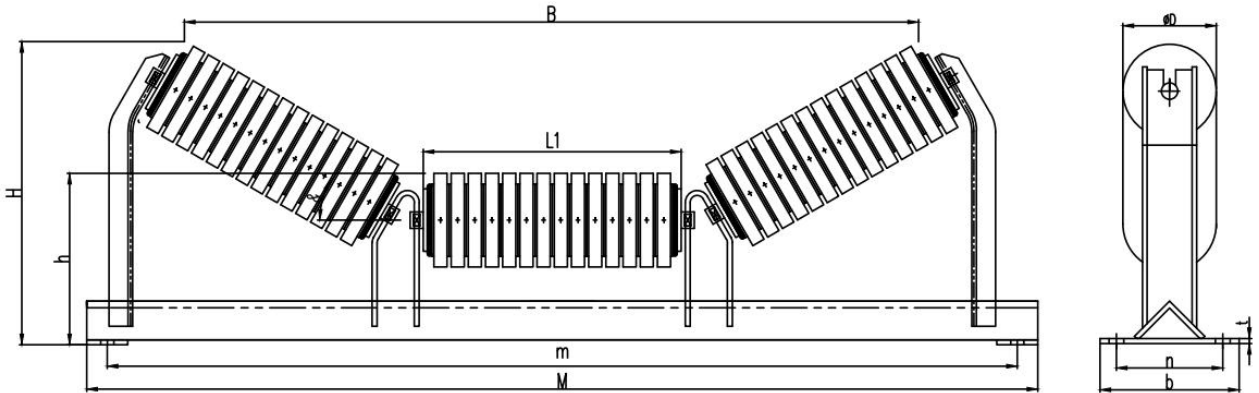
	PART NUMBER	BW	m	h	L1	B	t	H	M	n	b	Bolt
20°	C4-20EI-18	18	27	8	7	21.19	0.25	10.38	29	6	8	0.5
	C4-20EI-24	24	33	8	9	26.94	0.3125	11.06	35	6	9.5	0.625
	C4-20EI-30	30	39	8	11	32.63	0.3125	11.69	41	6	9.5	0.625
	C4-20EI-36	36	45	8	13	38.44	0.3125	12.50	47	6	9.5	0.625
	C4-20EI-42	42	51	8.5	15	44.13	0.3125	13.69	53	7.5	9.5	0.625
	C4-20EI-48	48	57	8.5	17	49.88	0.3125	14.25	59	7.5	9.5	0.625
	C4-20EI-54	54	63	8.5	19	55.69	0.375	15.00	65.5	9	11	0.625
	C4-20EI-60	60	69	8.5	21	61.38	0.375	15.63	71.5	9	11	0.625
35°	C4-35EI-18	18	27	8	7	19.13	0.25	12.13	29	6	8	0.5
	C4-35EI-24	24	33	8	9	24.44	0.3125	13.25	35	6	9.5	0.625
	C4-35EI-30	30	39	8	11	29.63	0.3125	14.44	41	6	9.5	0.625
	C4-35EI-36	36	45	8	13	34.94	0.3125	15.56	47	6	9.5	0.625
	C4-35EI-42	42	51	8.5	15	40.19	0.3125	17.19	53	7.5	9.5	0.625
	C4-35EI-48	48	57	8.5	17	45.44	0.3125	18.31	59	7.5	9.5	0.625
	C4-35EI-54	54	63	8.5	19	50.75	0.375	19.50	65.5	9	11	0.625
	C4-35EI-60	60	69	8.5	21	56.00	0.375	20.63	71.5	9	11	0.625
45°	C4-45EI-18	18	27	8	7	18.00	0.25	13.13	29	6	8	0.5
	C4-45EI-24	24	33	8	9	22.81	0.3125	14.50	35	6	9.5	0.625
	C4-45EI-30	30	39	8	11	27.56	0.3125	15.94	41	6	9.5	0.625
	C4-45EI-36	36	45	8	13	32.44	0.3125	17.38	47	6	9.5	0.625
	C4-45EI-42	42	51	8.5	15	37.25	0.3125	19.25	53	7.5	9.5	0.625
	C4-45EI-48	48	57	8.5	17	42.06	0.3125	20.63	59	7.5	9.5	0.625
	C4-45EI-54	54	63	8.5	19	46.88	0.375	22.06	65.5	9	11	0.625
	C4-45EI-60	60	69	8.5	21	51.69	0.375	23.50	71.5	9	11	0.625

RUBBER CUSHION IMPACT TROUGHING IDLERS - 5" DIAMETER



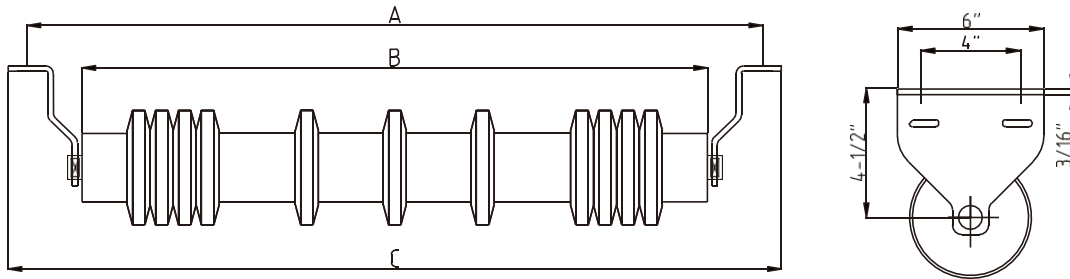
	PART NUMBER	BW	A	B	C	D	E	F	G	H	J	K
20°	C5-20EI-18	18	27	8.5	7	20.88	0.25	10.88	29	6	8	0.5
	C5-20EI-24	24	33	8.5	9	26.63	0.3125	11.56	35	6	9.5	0.625
	C5-20EI-30	30	39	8.5	11	32.31	0.3125	12.25	41	6	9.5	0.625
	C5-20EI-36	36	45	8.5	13	38.06	0.3125	12.94	47	6	9.5	0.625
	C5-20EI-42	42	51	9	15	43.81	0.3125	14.06	53	7.5	9.5	0.625
	C5-20EI-48	48	57	9	17	49.56	0.3125	14.75	59	7.5	9.5	0.625
	C5-20EI-54	54	63	9	19	55.38	0.375	15.50	65.5	9	11	0.625
	C5-20EI-60	60	69	9	21	61.06	0.375	16.19	71.5	9	11	0.625
35°	C5-35EI-18	18	27	8.5	7	18.56	0.25	12.25	29	6	8	0.5
	C5-35EI-24	24	33	8.5	9	23.81	0.3125	13.69	35	6	9.5	0.625
	C5-35EI-30	30	39	8.5	11	29.06	0.3125	14.69	41	6	9.5	0.625
	C5-35EI-36	36	45	8.5	13	34.38	0.3125	16.00	47	6	9.5	0.625
	C5-35EI-42	42	51	9	15	39.63	0.3125	17.56	53	7.5	9.5	0.625
	C5-35EI-48	48	57	9	17	44.88	0.3125	18.75	59	7.5	9.5	0.625
	C5-35EI-54	54	63	9	19	50.19	0.375	19.88	65.5	9	11	0.625
	C5-35EI-60	60	69	9	21	55.44	0.375	21.06	71.5	9	11	0.625
45°	C5-45EI-18	18	27	8.5	7	17.25	0.25	13.44	29	6	8	0.5
	C5-45EI-24	24	33	8.5	9	22.06	0.3125	14.88	35	6	9.5	0.625
	C5-45EI-30	30	39	8.5	11	26.88	0.3125	16.31	41	6	9.5	0.625
	C5-45EI-36	36	45	8.5	13	31.69	0.3125	17.75	47	6	9.5	0.625
	C5-45EI-42	42	51	9	15	36.50	0.3125	19.56	53	7.5	9.5	0.625
	C5-45EI-48	48	57	9	17	41.31	0.3125	21.00	59	7.5	9.5	0.625
	C5-45EI-54	54	63	9	19	46.19	0.375	22.44	65.5	9	11	0.625
	C5-45EI-60	60	69	9	21	51.00	0.375	23.88	71.5	9	11	0.625

RUBBER CUSHION IMPACT TROUGHING IDLERS - 6" DIAMETER



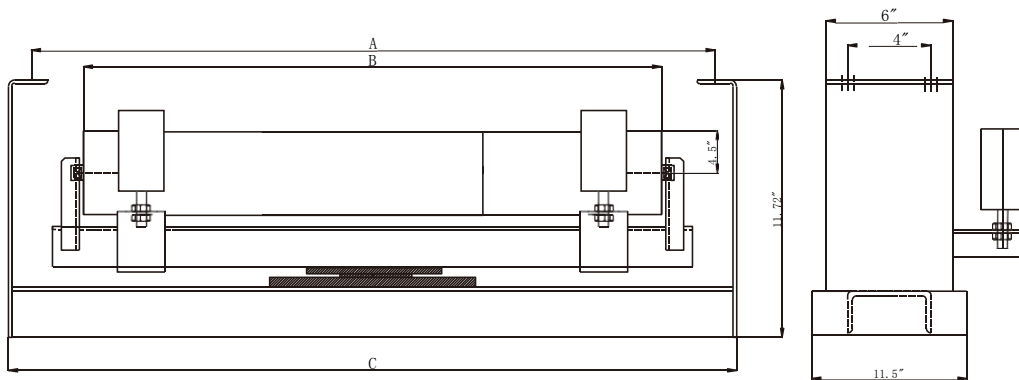
	PART NUMBER	BW	m	h	L1	B	t	H	M	n	b	Bolt
20°	C6-20EI-18	18	27	9	7	20.50	0.25	11.31	29	6	8	0.5
	C6-20EI-24	24	33	9	9	26.25	0.3125	12.00	35	6	9.5	0.625
	C6-20EI-30	30	39	9	11	31.94	0.3125	12.75	41	6	9.5	0.625
	C6-20EI-36	36	45	9	13	37.75	0.3125	13.44	47	6	9.5	0.625
	C6-20EI-42	42	51	9.5	15	43.44	0.3125	14.56	53	7.5	9.5	0.625
	C6-20EI-48	48	57	9.5	17	49.19	0.3125	15.25	59	7.5	9.5	0.625
	C6-20EI-54	54	63	9.5	19	55.00	0.375	15.94	65	9	11	0.625
	C6-20EI-60	60	69	9.5	21	60.69	0.375	16.63	71.5	9	11	0.625
35°	C6-35EI-18	18	27	9	7	18.00	0.25	12.94	29	6	8	0.5
	C6-35EI-24	24	33	9	9	23.25	0.3125	14.06	35	6	9.5	0.625
	C6-35EI-30	30	39	9	11	28.50	0.3125	15.25	41	6	9.5	0.625
	C6-35EI-36	36	45	9	13	33.69	0.3125	16.38	47	6	9.5	0.625
	C6-35EI-42	42	51	9.5	15	39.00	0.3125	18.00	53	7.5	9.5	0.625
	C6-35EI-48	48	57	9.5	17	44.31	0.3125	19.13	59	7.5	9.5	0.625
	C6-35EI-54	54	63	9.5	19	49.63	0.375	20.31	65	9	11	0.625
	C6-35EI-60	60	69	9.5	21	54.81	0.375	21.44	71.5	9	11	0.625
45°	C6-45EI-18	18	27	9	7	16.56	0.25	13.81	29	6	8	0.5
	C6-45EI-24	24	33	9	9	21.38	0.3125	15.25	35	6	9.5	0.625
	C6-45EI-30	30	39	9	11	26.19	0.3125	16.69	41	6	9.5	0.625
	C6-45EI-36	36	45	9	13	31.00	0.3125	18.06	47	6	9.5	0.625
	C6-45EI-42	42	51	9.5	15	35.81	0.3125	19.94	53	7.5	9.5	0.625
	C6-45EI-48	48	57	9.5	17	40.63	0.3125	21.38	59	7.5	9.5	0.625
	C6-45EI-54	54	63	9.5	19	45.50	0.375	22.81	65.5	9	11	0.625
	C6-45EI-60	60	69	9.5	21	50.25	0.375	24.19	71.5	9	11	0.625

RUBBER CUSHION RETURN IDLER - 4" & 5" & 6" DIAMETER



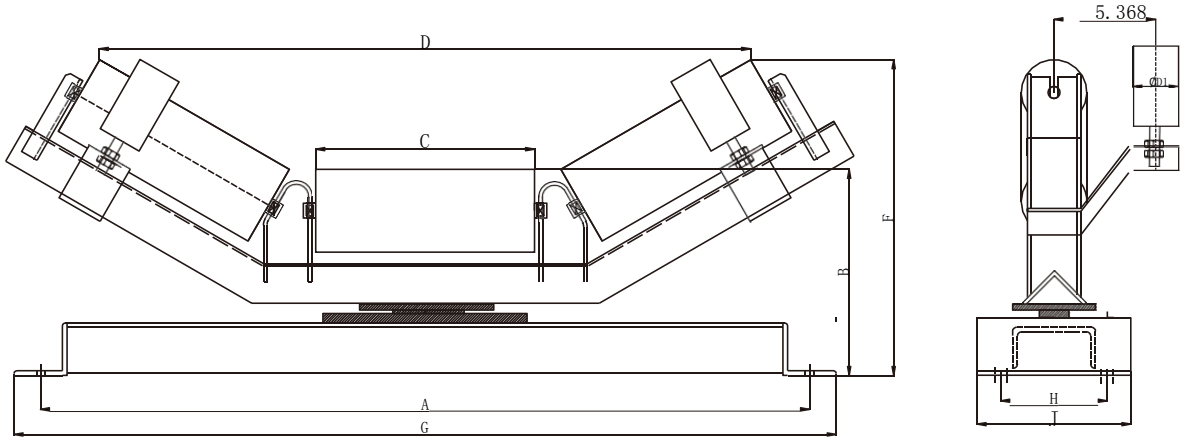
PART NUMBER 4"	PART NUMBER 5"	PART NUMBER 6"	BW	A	B	C
C4-RETI-18	C5-RETI-18	C6-RETI-18	18	27	21	29
C4-RETI-24	C5-RETI-24	C6-RETI-24	24	33	27	35
C4-RETI-30	C5-RETI-30	C6-RETI-30	30	39	33	41
C4-RETI-36	C5-RETI-36	C6-RETI-36	36	45	39	47
C4-RETI-42	C5-RETI-42	C6-RETI-42	42	51	45	53
C4-RETI-48	C5-RETI-48	C6-RETI-48	48	57	51	59
C4-RETI-54	C5-RETI-54	C6-RETI-54	54	63	57	65
C4-RETI-60	C5-RETI-60	C6-RETI-60	60	69	63	71

SELF-ALIGNING RETURN IDLERS - 4" 5" 6" DIAMETER



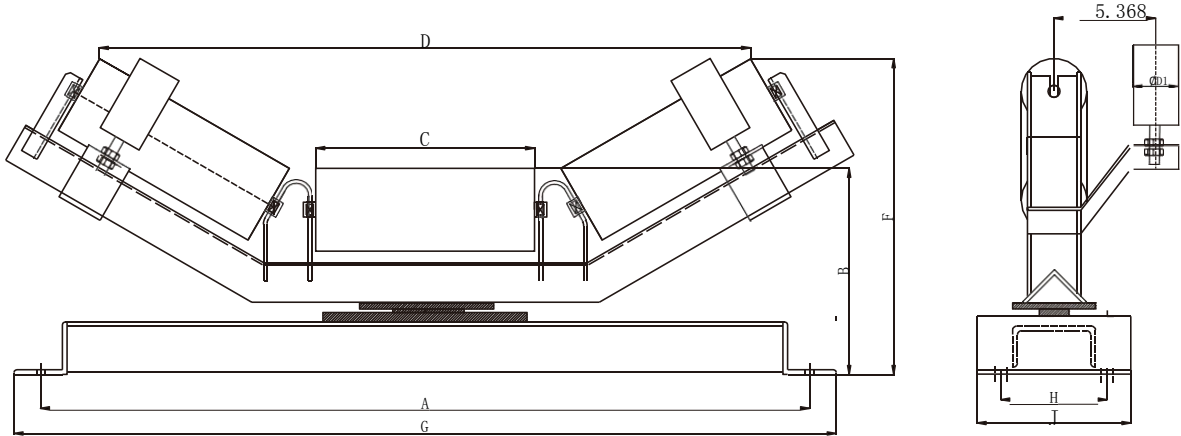
PART NUMBER 4"	PART NUMBER 5"	PART NUMBER 6"	BW	A	B	C
C4-RETA-18	C5-RETA-18	C6-RETA-18	18	27	21	30
C4-RETA-24	C5-RETA-24	C6-RETA-24	24	33	27	36
C4-RETA-30	C5-RETA-30	C6-RETA-30	30	39	33	42
C4-RETA-36	C5-RETA-36	C6-RETA-36	36	45	39	48
C4-RETA-42	C5-RETA-42	C6-RETA-42	42	51	45	54
C4-RETA-48	C5-RETA-48	C6-RETA-48	48	57	51	60
C4-RETA-54	C5-RETA-54	C6-RETA-54	54	63	57	66
C4-RETA-60	C5-RETA-60	C6-RETA-60	60	69	63	72

SELF-ALIGNING TROUGHING IDLERS - 4" DIAMETER



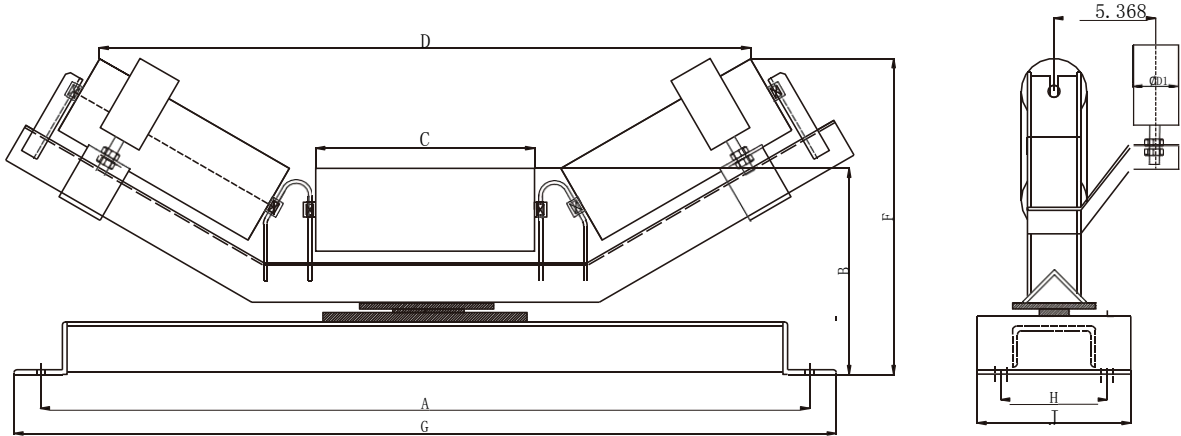
	PART NUMBER	BW	A	B	C	D	F	G	H	J	K
20°	C4-20EA-18	18	27	8.88	7	21.94	11.44	29	6	11.5	0.625
	C4-20EA-24	24	33	8.88	9	27.69	12.13	35	6	11.5	0.625
	C4-20EA-30	30	39	8.94	11	33.44	12.88	41	6	11.5	0.625
	C4-20EA-36	36	45	8.94	13	39.19	13.56	47	6	11.5	0.625
	C4-20EA-42	42	51	9.31	15	44.94	14.63	53	6	11.5	0.625
	C4-20EA-48	48	57	9.31	17	50.69	15.31	59	6	11.5	0.625
	C4-20EA-54	54	63	9.44	19	56.44	16.13	65	6	11.5	0.625
	C4-20EA-60	60	69	9.44	21	62.19	16.81	71	6	11.5	0.625
35°	C4-35EA-18	18	27	8.88	7	20.00	12.94	29	6	11.5	0.625
	C4-35EA-24	24	33	8.88	9	25.31	14.13	35	6	11.5	0.625
	C4-35EA-30	30	39	8.94	11	30.56	15.31	41	6	11.5	0.625
	C4-35EA-36	36	45	8.94	13	35.81	16.44	47	6	11.5	0.625
	C4-35EA-42	42	51	9.31	15	41.13	17.94	53	6	11.5	0.625
	C4-35EA-48	48	57	9.31	17	46.38	19.13	59	6	11.5	0.625
	C4-35EA-54	54	63	9.44	19	51.69	20.38	65	6	11.5	0.625
	C4-35EA-60	60	69	9.44	21	56.94	21.56	71	6	11.5	0.625
45°	C4-45EA-18	18	27	8.88	7	18.63	14.13	29	6	11.5	0.625
	C4-45EA-24	24	33	8.88	9	23.50	15.56	35	6	11.5	0.625
	C4-45EA-30	30	39	8.94	11	28.31	17.00	41	6	11.5	0.625
	C4-45EA-36	36	45	8.94	13	33.13	18.38	47	6	11.5	0.625
	C4-45EA-42	42	51	9.31	15	37.94	20.19	53	6	11.5	0.625
	C4-45EA-48	48	57	9.31	17	42.81	21.63	59	6	11.5	0.625
	C4-45EA-54	54	63	9.44	19	47.63	23.13	65	6	11.5	0.625
	C4-45EA-60	60	69	9.44	21	52.44	24.56	71	6	11.5	0.625

SELF-ALIGNING TROUGHING IDLERS - 5" DIAMETER



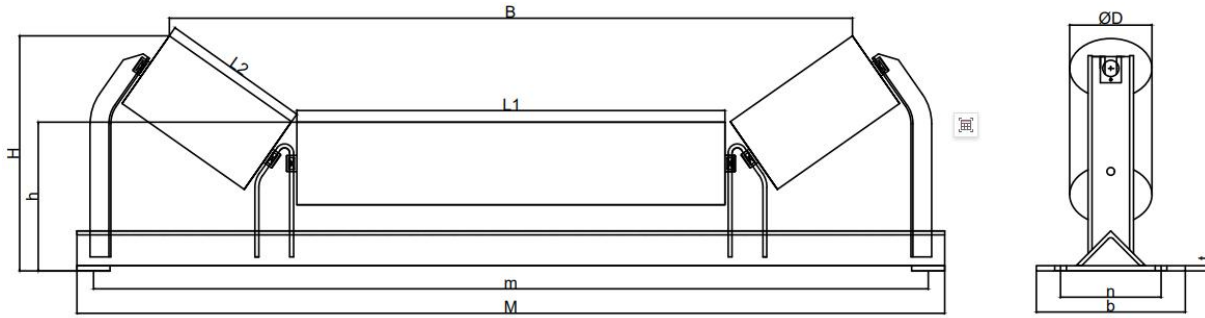
	PART NUMBER	BW	A	B	C	D	F	G	H	J	K
20°	C4-20EA-18	18	27	9.38	7	21.63	11.88	29	6	11.5	0.625
	C4-20EA-24	24	33	9.38	9	27.38	12.56	35	6	11.5	0.625
	C4-20EA-30	30	39	9.44	11	33.13	13.94	41	6	11.5	0.625
	C4-20EA-36	36	45	9.44	13	38.88	14.00	47	6	11.5	0.625
	C4-20EA-42	42	51	9.81	15	44.63	15.06	53	7.5	11.5	0.625
	C4-20EA-48	48	57	9.81	17	50.60	15.75	59	7.5	11.5	0.625
	C4-20EA-54	54	63	9.94	19	56.13	16.56	65	9	11.5	0.625
	C4-20EA-60	60	69	9.94	21	61.94	17.25	71	9	11.5	0.625
35°	C4-35EA-18	18	27	9.38	7	19.44	13.50	29	6	11.5	0.625
	C4-35EA-24	24	33	9.38	9	24.69	14.69	35	6	11.5	0.625
	C4-35EA-30	30	39	9.44	11	30.00	15.88	41	6	11.5	0.625
	C4-35EA-36	36	45	9.44	13	35.25	17.00	47	6	11.5	0.625
	C4-35EA-42	42	51	9.81	15	40.56	18.50	53	7.5	11.5	0.625
	C4-35EA-48	48	57	9.81	17	45.81	19.69	59	7.5	11.5	0.625
	C4-35EA-54	54	63	9.94	19	51.13	20.94	65	9	11.5	0.625
	C4-35EA-60	60	69	9.94	21	56.38	22.13	71	9	11.5	0.625
45°	C4-45EA-18	18	27	9.38	7	17.94	14.50	29	6	11.5	0.625
	C4-45EA-24	24	33	9.38	9	20.75	15.94	35	6	11.5	0.625
	C4-45EA-30	30	39	9.44	11	27.63	17.38	41	6	11.5	0.625
	C4-45EA-36	36	45	9.44	13	32.44	18.75	47	6	11.5	0.625
	C4-45EA-42	42	51	9.81	15	37.25	20.56	53	7.5	11.5	0.625
	C4-45EA-48	48	57	9.81	17	42.06	22.00	59	7.5	11.5	0.625
	C4-45EA-54	54	63	9.94	19	46.94	23.50	65	9	11.5	0.625
	C4-45EA-60	60	69	9.94	21	51.75	24.94	71	9	11.5	0.625

SELF-ALIGNING TROUGHING IDLERS - 6" DIAMETER



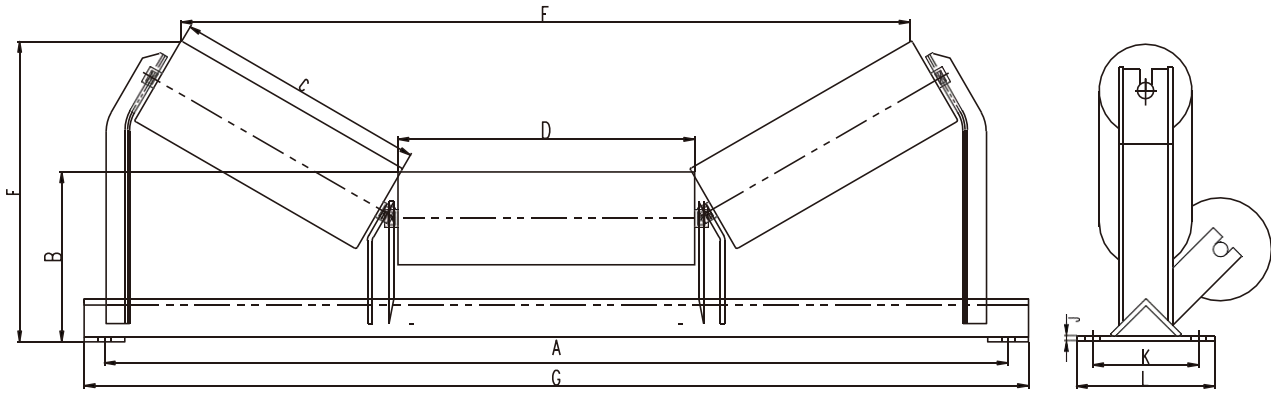
	PART NUMBER	BW	A	B	C	D	F	G	H	J	K
20°	C4-20EA-18	18	27	9.88	7	21.31	12.50	29	6	11.5	0.625
	C4-20EA-24	24	33	9.88	9	27.06	13.19	35	6	11.5	0.625
	C4-20EA-30	30	39	9.94	11	32.81	14.00	41	6	11.5	0.625
	C4-20EA-36	36	45	9.94	13	38.56	14.63	47	6	11.5	0.625
	C4-20EA-42	42	51	10.31	15	44.31	15.75	53	6	11.5	0.625
	C4-20EA-48	48	57	10.31	17	50.06	16.44	59	6	11.5	0.625
	C4-20EA-54	54	63	10.44	19	55.81	17.19	65	6	11.5	0.625
	C4-20EA-60	60	69	10.44	21	61.56	17.81	71	6	11.5	0.625
35°	C4-35EA-18	18	27	9.88	7	18.88	14.06	29	6	11.5	0.625
	C4-35EA-24	24	33	9.88	9	24.13	15.25	35	6	11.5	0.625
	C4-35EA-30	30	39	9.94	11	29.44	16.44	41	6	11.5	0.625
	C4-35EA-36	36	45	9.94	13	34.69	17.56	47	6	11.5	0.625
	C4-35EA-42	42	51	10.31	15	40.00	19.06	53	6	11.5	0.625
	C4-35EA-48	48	57	10.31	17	45.25	20.25	59	6	11.5	0.625
	C4-35EA-54	54	63	10.44	19	50.50	21.50	65	6	11.5	0.625
	C4-35EA-60	60	69	10.44	21	55.81	22.69	71	6	11.5	0.625
45°	C4-45EA-18	18	27	9.88	7	17.25	14.88	29	6	11.5	0.625
	C4-45EA-24	24	33	9.88	9	22.06	16.31	35	6	11.5	0.625
	C4-45EA-30	30	39	9.94	11	26.88	17.75	41	6	11.5	0.625
	C4-45EA-36	36	45	9.94	13	31.75	19.13	47	6	11.5	0.625
	C4-45EA-42	42	51	10.31	15	36.56	20.94	53	6	11.5	0.625
	C4-45EA-48	48	57	10.31	17	41.38	22.38	59	6	11.5	0.625
	C4-45EA-54	54	63	10.44	19	46.19	23.88	65	6	11.5	0.625
	C4-45EA-60	60	69	10.44	21	51.00	25.31	71	6	11.5	0.625

TROUGHING IDLERS (UNEQUAL LENGTH ROLLERS) - 4" 5" 6" DIAMETER



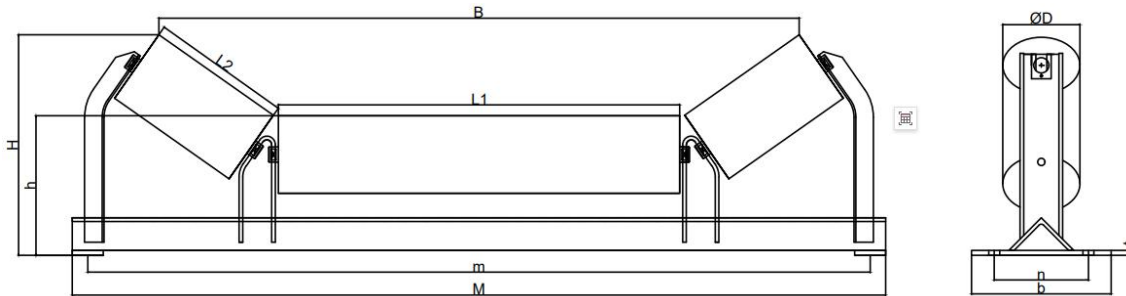
	PART NUMBER		BW	m	h	L1		L2	B		t	H		M	n	b	K
	35°	45°				35°	45°		35°	45°		35°	45°				
4"	C4-35U-30	C4-45U-30	30	39	8	15	15	9	31.31	29.50	0.3125	13.31	14.69	41	6	9.5	0.625
	C4-35U-36	C4-45U-36	36	45	8	21	21	9	37.63	35.81	0.3125	13.31	14.69	47	6	9.5	0.625
	C4-35U-42	C4-45U-42	42	51	8.5	27	26	9	43.63	41.81	0.3125	13.38	14.75	53	7.5	9.5	0.625
	C4-35U-48	C4-45U-48	48	57	8.5	33	32	9	49.63	47.81	0.3125	13.38	14.75	59	7.5	9.5	0.625
	C4-35U-54	C4-45U-54	54	63	8.5	39	38	9	55.63	53.81	0.3125	13.38	14.88	65.5	9	11	0.625
	C4-35U-60	C4-45U-60	60	69	8.5	44	44	9	61.63	59.81	0.375	13.44	14.88	71.5	9	11	0.625
5"	C5-35U-30	C5-45U-30	30	39	8.5	15	15	9	30.88	29.06	0.3125	13.69	15.00	41	6	9.5	0.625
	C5-35U-36	C5-45U-36	36	45	8.5	21	21	9	36.88	35.06	0.3125	13.69	15.00	47	6	9.5	0.625
	C5-35U-42	C5-45U-42	42	51	9	27	26	9	43.00	41.19	0.3125	13.75	15.06	53	7.5	9.5	0.625
	C5-35U-48	C5-45U-48	48	57	9	33	32	9	49.00	47.19	0.3125	13.75	15.06	59	7.5	9.5	0.625
	C5-35U-54	C5-45U-54	54	63	9	38	38	9	55.13	53.25	0.3125	13.81	15.19	65.5	9	11	0.625
	C5-35U-60	C5-45U-60	60	69	9	44	44	9	61.13	59.25	0.3125	13.88	15.81	71.5	9	11	0.625
6"	C6-35U-30	C6-45U-30	30	39	9	15	15	9	30.38	28.38	0.3125	14.13	15.31	41	6	9.5	0.625
	C6-35U-36	C6-45U-36	36	45	9	21	21	9	36.38	34.38	0.3125	14.13	15.31	47	6	9.5	0.625
	C6-35U-42	C6-45U-42	42	51	9.5	27	26	9	42.50	40.50	0.3125	14.19	15.44	53	7.5	9.5	0.625
	C6-35U-48	C6-45U-48	48	57	9.5	33	32	9	48.50	46.50	0.3125	14.19	15.44	59	7.5	9.5	0.625
	C6-35U-54	C6-45U-54	54	63	9.5	38	38	9	54.63	52.63	0.375	14.25	15.88	65	9	11	0.625
	C6-35U-60	C6-45U-60	60	69	9.5	44	44	9	60.63	58.63	0.375	14.31	15.88	71.5	9	11	0.625

OFFSET CENTER ROLLER IDLER - 5" & 6" DIAMETER



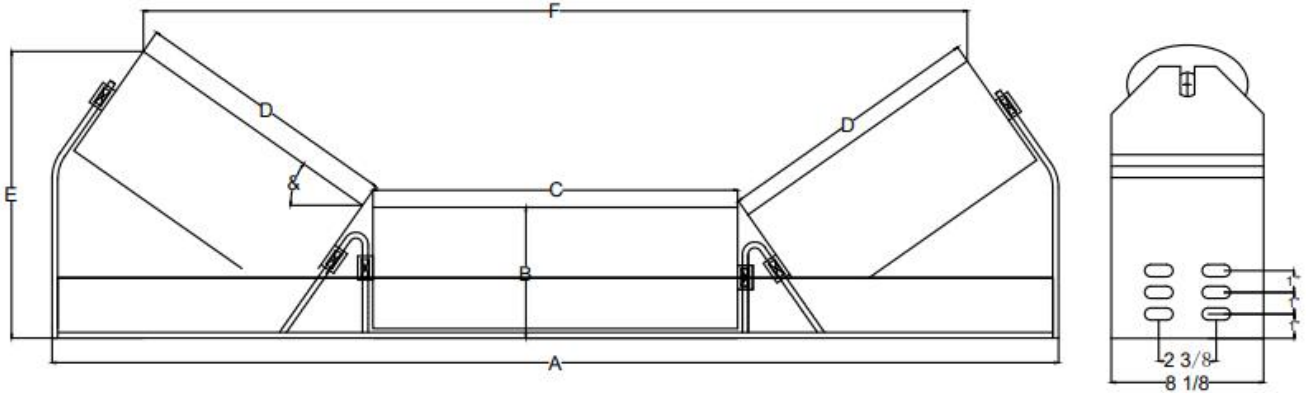
	PART NUMBER		BW	A	B		C	D	E		F		G	Bolt	J	K	L
	5"	6"			5"	6"			5"	6"	5"	6"					
20°	C5-20GO-18	C6-20GO-18	18	27	8.5	9	7	9	21.88	21.50	11.00	11.44	29	0.5	0.25	6	8
	C5-20GO-24	C6-20GO-24	24	33	8.5	9	9	11	27.63	27.31	11.69	12.13	35	0.625	0.3125	6	9.5
	C5-20GO-30	C6-20GO-30	30	39	8.5	9	11	13	33.38	33.06	12.38	12.88	41	0.625	0.3125	6	9.5
	C5-20GO-36	C6-20GO-36	36	45	8.5	9	13	15	39.13	38.81	13.06	13.56	47	0.625	0.3125	6	9.5
	C5-20GO-42	C6-20GO-42	42	51	9	9.5	15	17	44.88	44.56	14.19	14.69	53	0.625	0.3125	7.5	9.5
	C5-20GO-48	C6-20GO-48	48	57	9	9.5	17	19	50.63	50.31	14.88	15.38	59	0.625	0.3125	7.5	9.5
	C5-20GO-54	C6-20GO-54	54	63	9	9.5	19	21	56.38	56.06	15.63	16.06	65	0.625	0.375	9	11
	C5-20GO-60	C6-20GO-60	60	69	9	9.5	21	23	62.19	61.81	16.31	16.75	71.5	0.625	0.375	9	11
35°	C5-35GO-18	C6-35GO-18	18	27	8.5	9	7	9	19.50	18.94	12.63	13.06	29	0.5	0.25	6	8
	C5-35GO-24	C6-35GO-24	24	33	8.5	9	9	11	24.75	24.25	13.81	14.19	35	0.625	0.3125	6	9.5
	C5-35GO-30	C6-35GO-30	30	39	8.5	9	11	13	30.06	29.50	14.94	15.25	41	0.625	0.3125	6	9.5
	C5-35GO-36	C6-35GO-36	36	45	8.5	9	13	15	35.31	34.81	16.13	16.50	47	0.625	0.3125	6	9.5
	C5-35GO-42	C6-35GO-42	42	51	9	9.5	15	17	40.31	40.06	17.69	18.13	53	0.625	0.3125	7.5	9.5
	C5-35GO-48	C6-35GO-48	48	57	9	9.5	17	19	45.88	45.31	18.88	19.25	59	0.625	0.3125	7.5	9.5
	C5-35GO-54	C6-35GO-54	54	63	9	9.5	19	21	51.19	50.31	20.00	20.44	65	0.625	0.375	9	11
	C5-35GO-60	C6-35GO-60	60	69	9	9.5	21	23	56.44	55.88	21.19	21.56	71.5	0.625	0.375	9	11
45°	C5-45GO-18	C6-45GO-18	18	27	8.5	9	7	9	18.13	17.44	13.63	14.00	29	0.5	0.25	6	8
	C5-45GO-24	C6-45GO-24	24	33	8.5	9	9	11	22.94	22.25	15.06	15.44	35	0.625	0.3125	6	9.5
	C5-45GO-30	C6-45GO-30	30	39	8.5	9	11	13	27.75	27.06	16.50	16.88	41	0.625	0.3125	6	9.5
	C5-45GO-36	C6-45GO-36	36	45	8.5	9	13	15	32.56	31.94	17.94	18.25	47	0.625	0.3125	6	9.5
	C5-45GO-42	C6-45GO-42	42	51	9	9.5	15	17	37.44	36.75	18.75	20.13	53	0.625	0.3125	7.5	9.5
	C5-45GO-48	C6-45GO-48	48	57	9	9.5	17	19	42.25	41.56	21.19	21.56	59	0.625	0.3125	7.5	9.5
	C5-45GO-54	C6-45GO-54	54	63	9	9.5	19	21	47.06	46.38	22.63	23.00	65	0.625	0.375	9	11
	C5-45GO-60	C6-45GO-60	60	69	9	9.5	21	23	51.88	51.25	24.06	24.38	71.5	0.625	0.375	9	11

FEEDER / PICKING TROUGHING IDLERS - 4" & 5" & 6" DIAMETER



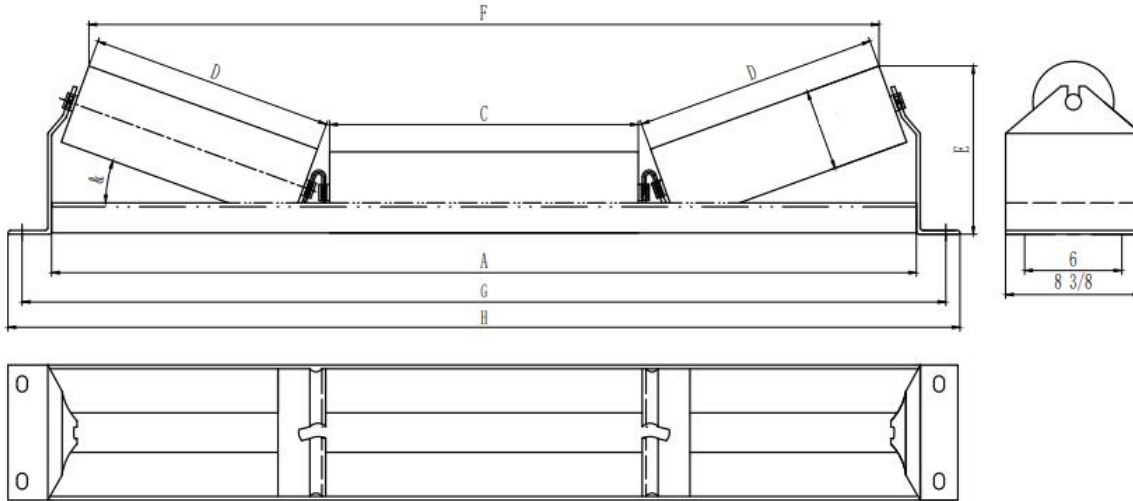
	PART NUMBER	BW	m	h	L1	L2	B	t	H	M	n	b	Bolt
4"	C4-20P-24	24	33	7.94	13	7	28.19	0.3125	10.44	35	6	9.5	0.625
	C4-20P-30	30	39	7.94	19	7	34.19	0.3125	10.44	41	6	9.5	0.625
	C4-20P-36	36	45	7.94	25	7	40.19	0.3125	10.44	47	6	9.5	0.625
	C4-20P-42	42	51	8.31	30.75	7	43.38	0.3125	10.5	53	6	9.5	0.625
	C4-20P-48	48	57	8.31	36.75	7	52.38	0.3125	10.5	59	6	9.5	0.625
	C4-20P-54	54	63	8.75	42.5	7	58.44	0.375	10.56	65.5	9	11	0.625
	C4-20P-60	60	69	8.75	48.5	7	64.44	0.375	10.56	71.5	9	11	0.625
5"	C5-20P-24	24	33	8.44	13	7	27.63	0.3125	10.88	35	6	9.5	0.625
	C5-20P-30	30	39	8.44	19	7	33.63	0.3125	10.88	41	6	9.5	0.625
	C5-20P-36	36	45	8.44	25	7	39.63	0.3125	10.88	47	6	9.5	0.625
	C5-20P-42	42	51	8.81	30.75	7	45.81	0.3125	10.94	53	6	9.5	0.625
	C5-20P-48	48	57	8.81	36.75	7	51.81	0.3125	10.94	59	6	9.5	0.625
	C5-20P-54	54	63	8.88	42.5	7	57.81	0.375	11	65.5	9	11	0.625
	C5-20P-60	60	69	8.88	48.5	7	63.81	0.375	11	71.5	9	11	0.625
6"	C6-20P-24	24	33	8.94	13	7	27.56	0.3125	11.38	35	6	9.5	0.625
	C6-20P-30	30	39	8.94	19	7	33.56	0.3125	11.38	41	6	9.5	0.625
	C6-20P-36	36	45	8.94	25	7	39.56	0.3125	11.38	47	6	9.5	0.625
	C6-20P-42	42	51	9.31	30.75	7	45.56	0.3125	11.44	53	6	9.5	0.625
	C6-20P-48	48	57	9.31	36.75	7	51.81	0.3125	11.44	59	6	9.5	0.625
	C6-20P-54	54	63	9.38	42.5	7	57.81	0.375	11.5	65.5	9	11	0.625
	C6-20P-60	60	69	9.38	48.5	7	63.81	0.375	11.5	71.5	9	11	0.625

LOW PROFILE CHANNEL MOUNT - 4" & 5" DIAMETER



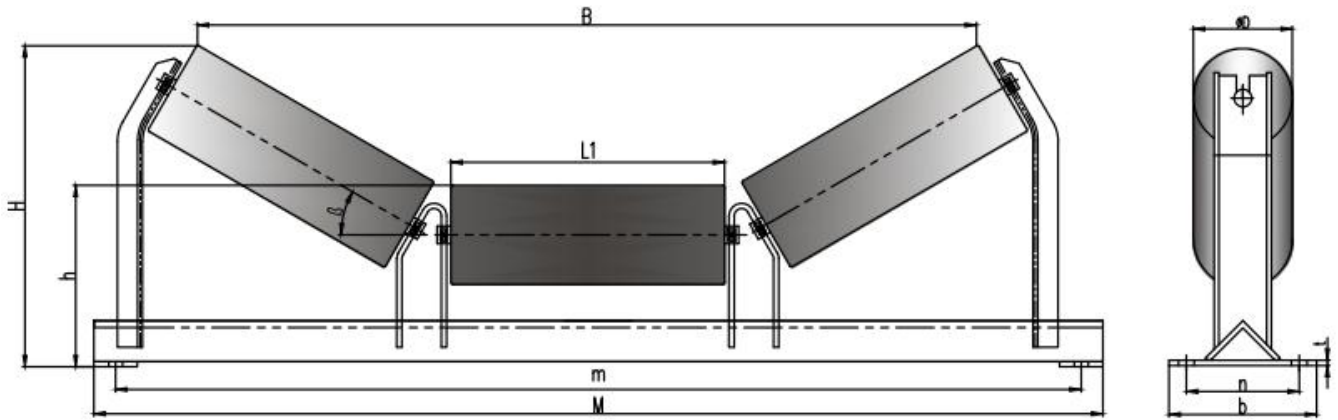
	PART NUMBER		BW	A	B	C	D	E		F	
	20°	35°						20°	35°	20°	35°
4"	C4-20CM-18	C4-35CM-18	18	24	4.5	7	6	6.69	8.19	20.19	18.28
	C4-20CM-24	C4-35CM-24	24	30	4.5	11	7	7.06	8.75	26.13	25.94
	C4-20CM-30	C4-35CM-30	30	36	4.5	13	9	7.75	9.91	31.88	29.25
	C4-20CM-36	C4-35CM-36	36	42	4.5	15	11	8.44	11.03	37.63	34.50
	C4-20CM-42	C4-35CM-42	42	48	4.5	17	13	9.09	12.19	43.44	39.75
	C4-20CM-48	C4-35CM-48	48	54	4.5	19	15	9.81	13.34	49.19	45.06
	C4-20CM-54	C4-35CM-54	54	60	4.5	21	17	10.50	14.50	55.25	50.56
	C4-20CM-60	C4-35CM-60	60	66	4.5	23	19	11.19	15.63	60.94	55.88
5"	C5-20CM-18	C5-35CM-18	18	24	5	7	6	7.19	8.56	19.88	17.69
	C5-20CM-24	C5-35CM-24	24	30	5	11	7	7.56	9.16	25.81	23.38
	C5-20CM-30	C5-35CM-30	30	36	5	13	9	8.25	10.31	31.56	28.75
	C5-20CM-36	C5-35CM-36	36	42	5	15	11	8.94	11.44	37.31	33.94
	C5-20CM-42	C5-35CM-42	42	48	5	17	13	9.63	12.63	43.13	39.25
	C5-20CM-48	C5-35CM-48	48	54	5	19	15	10.31	13.75	48.88	44.50
	C5-20CM-54	C5-35CM-54	54	60	5	21	17	11.00	14.88	54.94	50.00
	C5-20CM-60	C5-35CM-60	60	66	5	23	19	11.69	16.06	60.63	55.25

LOW PROFILE STANDARD MOUNT - 4" & 5" DIAMETER



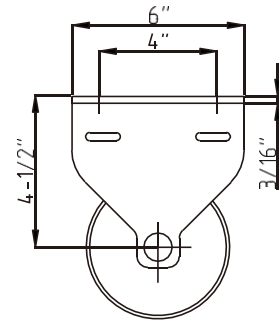
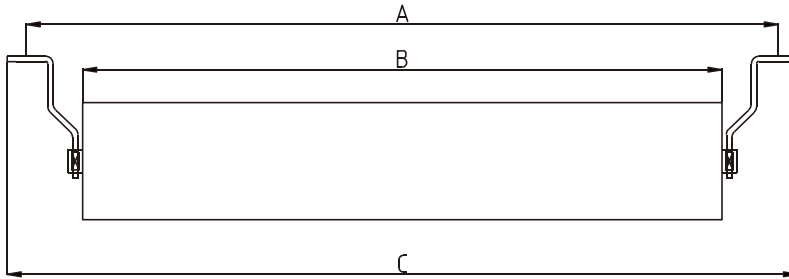
	PART NUMBER		BW	A	B	C	D	G	H	E		F	
	20°	35°								20°	35°	20°	35°
4"	C4-20SM-18	C4-35SM-18	18	24	4.5	7	6	27	28.75	6.69	8.19	19.88	18.28
	C4-20SM-24	C4-35SM-24	24	30	4.5	11	7	33	34.75	7.06	8.75	25.78	25.94
	C4-20SM-30	C4-35SM-30	30	36	4.5	13	9	39	40.75	7.75	9.91	31.50	29.25
	C4-20SM-36	C4-35SM-36	36	42	4.5	15	11	45	46.75	8.44	11.03	37.34	34.50
	C4-20SM-42	C4-35SM-42	42	48	4.5	17	13	51	52.75	9.09	12.19	43.09	39.75
	C4-20SM-48	C4-35SM-48	48	54	4.5	19	15	57	58.75	9.81	13.34	48.81	45.06
	C4-20SM-54	C4-35SM-54	54	60	4.5	21	17	63	64.00	10.50	14.50	54.81	50.56
	C4-20SM-60	C4-35SM-60	60	66	4.5	23	19	69	70.75	11.19	15.63	60.50	55.88
5"	C5-20SM-18	C5-35SM-18	18	24	5	7	6	27	28.75	7.19	8.56	19.50	17.69
	C5-20SM-24	C5-35SM-24	24	30	5	11	7	33	34.75	7.56	9.16	25.44	23.38
	C5-20SM-30	C5-35SM-30	30	36	5	13	9	39	40.75	8.25	10.31	31.19	28.66
	C5-20SM-36	C5-35SM-36	36	42	5	15	11	45	46.75	8.94	11.44	37.00	33.94
	C5-20SM-42	C5-35SM-42	42	48	5	17	13	51	52.75	9.63	12.63	42.75	39.25
	C5-20SM-48	C5-35SM-48	48	54	5	19	15	57	58.75	10.31	13.75	48.47	44.50
	C5-20SM-54	C5-35SM-54	54	60	5	21	17	63	64.00	11.00	14.88	54.50	50.00
	C5-20SM-60	C5-35SM-60	60	66	5	23	19	69	70.75	11.69	16.06	60.38	55.25

TROUGHING IDLERS (EQUAL LENGTH ROLLERS) - 5" & 6" DIAMETER



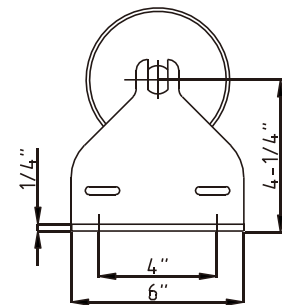
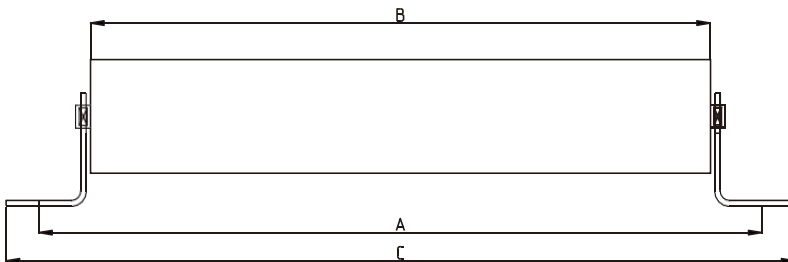
	PART NUMBER		BW	m	h		L1	B		t	H		M	n	b	Bolt
	5"	6"			5"	6"		5"	6"		5"	6"				
20°	D5-20E-24	D6-20E-24	24	33	8.5	9	9	27.63	26.94	0.3125	11.69	12.13	35	6	9.5	0.625
	D5-20E-30	D6-20E-30	30	39	8.5	9	11	33.06	32.75	0.3125	12.38	12.88	41	6	9.5	0.625
	D5-20E-36	D6-20E-36	36	45	9	9.5	13	38.81	38.50	0.3125	13.06	14.03	47	6	9.5	0.625
	D5-20E-42	D6-20E-42	42	51	9	9.5	15	44.56	44.25	0.3125	14.19	14.75	53	7.5	9.5	0.625
	D5-20E-48	D6-20E-48	48	57	9.38	9.88	17	50.38	50.00	0.3125	14.88	15.75	59	7.5	9.5	0.625
	D5-20E-54	D6-20E-54	54	63	9.44	9.94	19	56.13	55.75	0.375	15.63	16.50	65.5	9	11	0.625
	D5-20E-60	D6-20E-60	60	69	9.44	9.94	21	62.13	61.50	0.375	16.56	17.19	71.5	9	11	0.625
	D5-20E-72	D6-20E-72	72	81	9.44	9.94	25	73.38	73.00	0.375	18.13	18.56	83.5	9	11	0.625
35°	D5-35E-24	D6-35E-24	24	33	8.5	9	9	24.69	24.13	0.3125	13.81	14.19	35	6	9.5	0.625
	D5-35E-30	D6-35E-30	30	39	8.5	9	11	30.00	29.44	0.3125	14.94	15.38	41	6	9.5	0.625
	D5-35E-36	D6-35E-36	36	45	9	9.5	13	35.25	34.69	0.3125	16.13	16.00	47	6	9.5	0.625
	D5-35E-42	D6-35E-42	42	51	9	9.5	15	40.56	40.00	0.3125	17.69	18.19	53	7.5	9.5	0.625
	D5-35E-48	D6-35E-48	48	57	9.38	9.88	17	45.81	45.25	0.375	18.88	19.69	59	7.5	9.5	0.625
	D5-35E-54	D6-35E-54	54	63	9.44	9.94	19	51.13	50.50	0.375	20.31	20.88	65.5	9	11	0.625
	D5-35E-60	D6-35E-60	60	69	9.44	9.94	21	56.31	55.81	0.375	21.19	22.00	71.5	9	11	0.625
	D5-35E-72	D6-35E-72	72	81	9.44	9.94	25	66.88	66.31	0.3125	23.94	24.31	83.5	9	11	0.625
45°	D5-45E-24	D6-45E-24	24	33	8.5	9	9	22.75	22.17	0.3125	15.06	15.44	35	6	9.5	0.625
	D5-45E-30	D6-45E-30	30	39	8.5	9	11	27.63	26.88	0.3125	16.50	16.88	41	6	9.5	0.625
	D5-45E-36	D6-45E-36	36	45	9	9.5	13	32.44	31.75	0.3125	17.94	18.75	47	6	9.5	0.625
	D5-45E-42	D6-45E-42	42	51	9	9.5	15	37.25	36.56	0.3125	19.75	20.19	53	7.5	9.5	0.625
	D5-45E-48	D6-45E-48	48	57	9.38	9.88	17	42.13	41.38	0.375	21.13	21.94	59	7.5	9.5	0.625
	D5-45E-54	D6-45E-54	54	63	9.44	9.94	19	46.94	46.19	0.375	22.94	23.25	65.5	9	11	0.625
	D5-45E-60	D6-45E-60	60	69	9.44	9.94	21	51.75	51.00	0.375	24.06	24.88	71.5	9	11	0.625
	D5-45E-72	D6-45E-72	72	81	9.44	9.94	25	61.38	60.69	0.3125	27.31	27.69	83.5	9	11	0.625

RETURN IDLERS - 5" & 6" DIAMETER



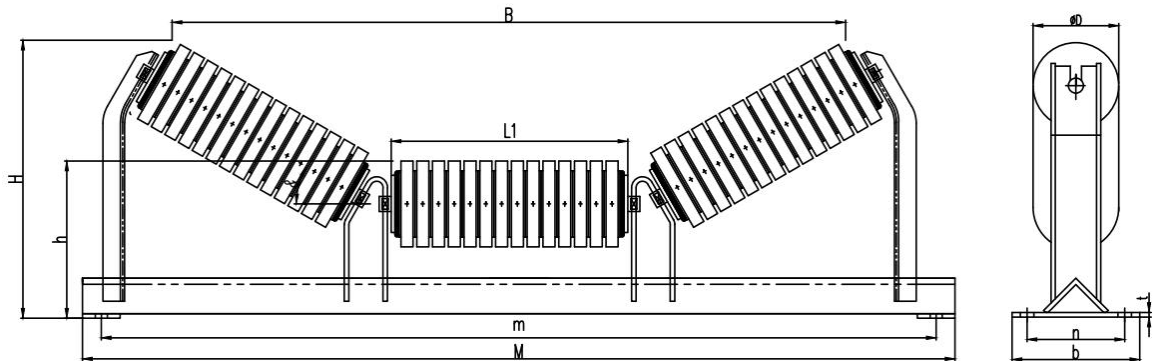
5" PART NUMBER	6" PART NUMBER	BW"	A	B	C
D5-RET-24	D6-RET-24	24	33	27	35
D5-RET-30	D6-RET-30	30	39	33	41
D5-RET-36	D6-RET-36	36	45	39	47
D5-RET-42	D6-RET-42	42	51	45	53
D5-RET-48	D6-RET-48	48	57	51	59
D5-RET-54	D6-RET-54	54	63	57	65
D5-RET-60	D6-RET-60	60	69	63	71
D5-RET-72	D6-RET-72	72	81	75	83

FLAT IDLERS - 5" & 6" DIAMETER



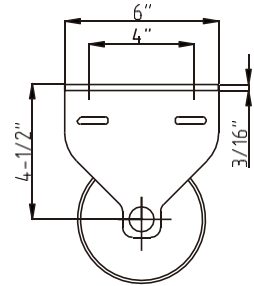
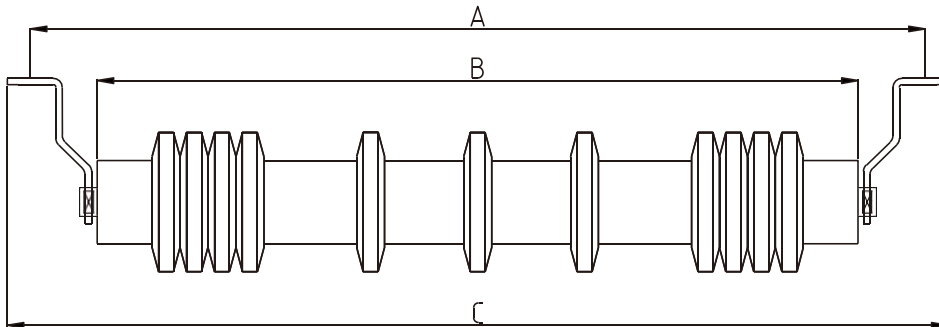
5" PART NUMBER	6" PART NUMBER	BW"	A	B	C
D5-FLT-24	D6-FLT-24	24	33	27	35
D5-FLT-30	D6-FLT-30	30	39	33	41
D5-FLT-36	D6-FLT-36	36	5	39	47
D5-FLT-42	D6-FLT-42	42	51	45	53
D5-FLT-48	D6-FLT-48	48	57	51	59
D5-FLT-54	D6-FLT-54	54	63	57	65
D5-FLT-60	D6-FLT-60	60	69	63	71
D5-FLT-72	D6-FLT-72	72	81	75	83

RUBBER CUSHION IMPACT TROUGHING IDLERS - 5" & 6" DIAMETER



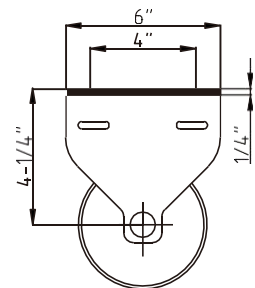
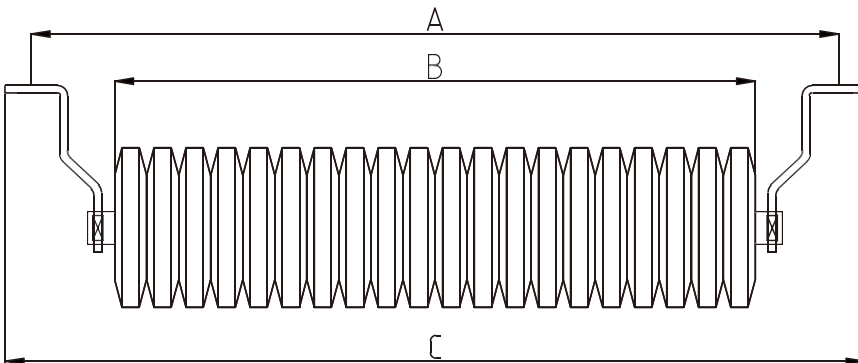
	PART NUMBER		BW	m	h		L1	B		t	H		M	n	b	Bolt
	5"	6"			5"	6"		5"	6"		5"	6"				
20°	D5-20EI-24	D6-20EI-24	24	33	8.5	9	9	26.81	26.44	0.3125	11.69	12.13	35	6	9.5	0.625
	D5-20EI-30	D6-20EI-30	30	39	8.5	9	11	32.56	32.25	0.3125	12.38	12.88	41	6	9.5	0.625
	D5-20EI-36	D6-20EI-36	36	45	9	9.5	13	38.31	38.00	0.3125	13.56	14.03	47	6	9.5	0.625
	D5-20EI-42	D6-20EI-42	42	51	9	9.5	15	44.06	43.75	0.3125	14.25	14.75	53	7.5	9.5	0.625
	D5-20EI-48	D6-20EI-48	48	57	9.38	9.88	17	49.88	49.50	0.3125	15.31	15.75	59	7.5	9.5	0.625
	D5-20EI-54	D6-20EI-54	54	63	9.44	9.94	19	55.63	55.25	0.375	16.03	16.50	65.5	9	11	0.625
	D5-20EI-60	D6-20EI-60	60	69	9.44	9.94	21	61.38	61.00	0.375	16.75	17.19	71.5	9	11	0.625
	D5-20EI-72	D6-20EI-72	72	81	9.44	9.94	25	73.00	72.69	0.375	17.56	18.06	83.5	9	11	0.625
35°	D5-35EI-24	D6-35EI-24	24	33	8.5	9	9	24.31	23.75	0.3125	11.69	14.19	35	6	9.5	0.625
	D5-35EI-30	D6-35EI-30	30	39	8.5	9	11	29.63	29.06	0.3125	12.38	15.38	41	6	9.5	0.625
	D5-35EI-36	D6-35EI-36	36	45	9	9.5	13	34.88	34.31	0.3125	16.63	16.00	47	6	9.5	0.625
	D5-35EI-42	D6-35EI-42	42	51	9	9.5	15	40.19	39.63	0.3125	17.75	18.19	53	7.5	9.5	0.625
	D5-35EI-48	D6-35EI-48	48	57	9.38	9.88	17	45.44	44.88	0.3125	19.25	19.69	59	7.5	9.5	0.625
	D5-35EI-54	D6-35EI-54	54	63	9.44	9.94	19	69.94	49.94	0.375	20.06	20.44	65.5	9	11	0.625
	D5-35EI-60	D6-35EI-60	60	69	9.44	9.94	21	56.00	55.44	0.375	21.63	22.00	71.5	9	11	0.625
	D5-35EI-72	D6-35EI-72	72	81	9.44	9.94	25	65.50	64.94	0.375	24.19	24.69	83.5	9	11	0.625
45°	D5-45EI-24	D6-45EI-24	24	33	8.5	9	9	22.75	21.69	0.3125	15.06	15.44	35	6	9.5	0.625
	D5-45EI-30	D6-45EI30	30	39	8.5	9	11	27.63	26.50	0.3125	16.13	16.88	41	6	9.5	0.625
	D5-45EI-36	D6-45EI-36	36	45	9	9.5	13	32.44	32.06	0.3125	18.44	18.75	47	6	9.5	0.625
	D5-45EI-42	D6-45EI42	42	51	9	9.5	15	37.25	36.19	0.3125	19.81	20.19	53	7.5	9.5	0.625
	D5-45EI-48	D6-45EI48	48	57	9.38	9.88	17	42.06	41.00	0.3125	21.63	21.94	59	7.5	9.5	0.625
	D5-45EI-54	D6-45EI54	54	63	9.44	9.94	19	46.94	45.81	0.375	23.06	23.44	65.5	9	11	0.625
	D5-45EI-60	D6-45EI60	60	69	9.44	9.94	21	51.75	50.56	0.375	24.50	24.88	71.5	9	11	0.625
	D5-45EI-72	D6-45EI72	72	81	9.44	9.94	25	61.38	60.44	0.375	27.31	27.94	83.5	9	11	0.625

RUBBER CUSHION RETURN IDLERS - 5" & 6" DIAMETER



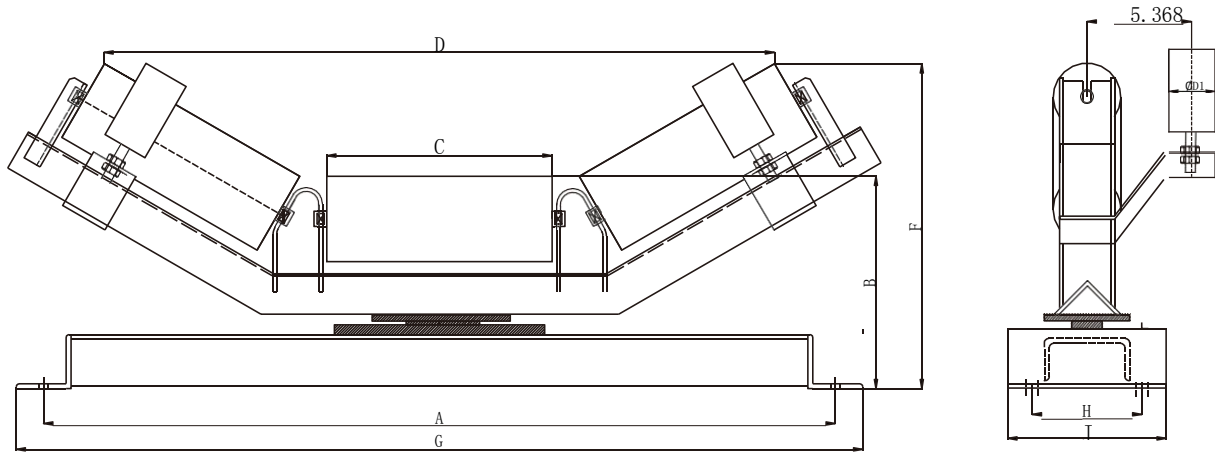
PART NUMBER		BW	A	B	C
5"	6"				
D5-RETI-24	D6-RETI-24	24	33	27	35
D5-RETI-30	D6-RETI-30	30	39	33	41
D5-RETI-36	D6-RETI-36	36	45	39	47
D5-RETI-42	D6-RETI-42	42	51	45	53
D5-RETI-48	D6-RETI-48	48	57	51	59
D5-RETI-54	D6-RETI-54	54	63	57	65
D5-RETI-60	D6-RETI-60	60	69	63	71
D5-RETI-72	D6-RETI-72	72	81	75	83

RUBBER CUSHION FLAT IDLERS - 5" & 6" DIAMETER



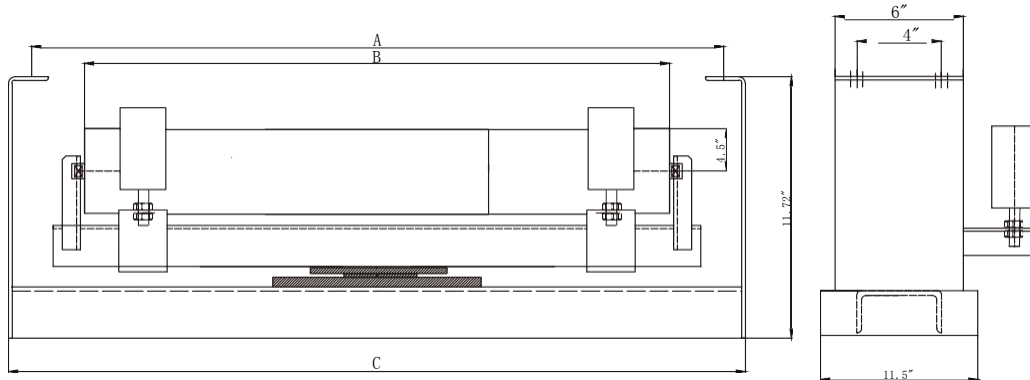
PART NUMBER		BW	A	B	C
5"	6"				
D5-FLTI-24	D6-FLTI-24	24	33	27	35
D5-FLTI-30	D6-FLTI-30	30	39	33	41
D5-FLTI-36	D6-FLTI-36	36	45	39	47
D5-FLTI-42	D6-FLTI-42	42	51	45	53
D5-FLTI-48	D6-FLTI-48	48	57	51	59
D5-FLTI-54	D6-FLTI-54	54	63	57	65
D5-FLTI-60	D6-FLTI-60	60	69	63	71
D5-FLTI-72	D6-FLTI-72	72	81	75	83

SELF-ALIGNING TROUGHING IDLER - 5" & 6" DIAMETER



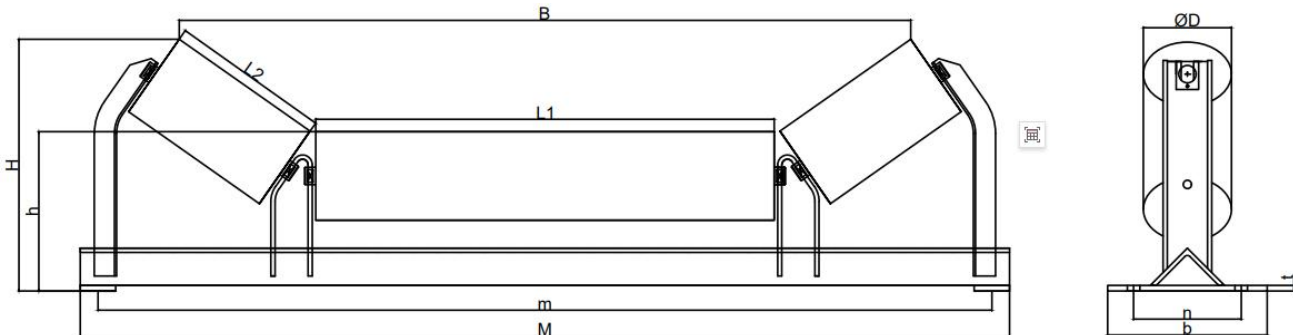
	PART NUMBER		BW	A	B		C	D		F		G	H	J	Bolt
	5"	6"			5"	6"		5"	6"	5"	6"				
20°	D5-20EA-24	D6-20EA-24	24	33	9.38	9.88	9	21.63	21.31	11.88	12.31	35	6	11.5	0.625
	D5-20EA-30	D6-20EA-30	30	39	9.38	9.88	11	27.38	27.06	12.56	13.00	41	6	11.5	0.625
	D5-20EA-36	D6-20EA-36	36	45	9.44	9.94	13	33.13	32.81	13.31	13.75	47	6	11.5	0.625
	D5-20EA-42	D6-20EA-42	42	51	9.44	9.94	15	38.88	38.56	14.00	14.44	53	6	11.5	0.625
	D5-20EA-48	D6-20EA-48	48	57	9.81	10.31	17	44.63	44.31	15.06	15.50	59	6	11.5	0.625
	D5-20EA-54	D6-20EA-54	54	63	9.81	10.31	19	50.38	50.06	15.75	16.19	65.5	6	11.5	0.625
	D5-20EA-60	D6-20EA-60	60	69	9.94	10.44	21	56.13	55.81	16.56	17.00	71.5	6	11.5	0.625
	D5-20EA-72	D6-20EA-72	72	81	9.94	10.44	25	61.94	61.56	17.25	17.69	83.5	6	11.5	0.625
35°	D5-35EA-24	D6-35EA-24	24	33	9.38	9.88	9	24.69	24.13	14.88	15.25	35	6	11.5	0.625
	D5-35EA-30	D6-35EA-30	30	39	9.38	9.88	11	30.00	29.44	15.88	16.44	41	6	11.5	0.625
	D5-35EA-36	D6-35EA-36	36	45	9.44	9.94	13	35.25	34.69	17.19	17.56	47	6	11.5	0.625
	D5-35EA-42	D6-35EA-42	42	51	9.44	9.94	15	40.56	40.00	18.75	19.19	53	6	11.5	0.625
	D5-35EA-48	D6-35EA-48	48	57	9.81	10.31	17	45.81	45.25	20.00	20.31	59	6	11.5	0.625
	D5-35EA-54	D6-35EA-54	54	63	9.81	10.31	19	51.13	50.50	21.06	21.50	65.5	6	11.5	0.625
	D5-35EA-60	D6-35EA-60	60	69	9.94	10.44	21	56.31	55.81	22.25	22.63	71.5	6	11.5	0.625
	D5-35EA-72	D6-35EA-72	72	81	9.94	10.44	25	66.88	61.13	22.44	24.38	83.5	6	11.5	0.625
45°	D5-45EA-24	D6-45EA-24	24	33	9.38	9.88	9	22.75	22.06	16.13	16.50	35	6	11.5	0.625
	D5-45EA-30	D6-45EA-30	30	39	9.38	9.88	11	27.63	26.88	17.63	18.00	41	6	11.5	0.625
	D5-45EA-36	D6-45EA-36	36	45	9.44	9.94	13	32.44	31.75	19.06	19.38	47	6	11.5	0.625
	D5-45EA-42	D6-45EA-42	42	51	9.44	9.94	15	37.25	36.56	20.75	21.13	53	6	11.5	0.625
	D5-45EA-48	D6-45EA-48	48	57	9.81	10.31	17	42.00	41.38	21.88	21.19	59	6	11.5	0.625
	D5-45EA-54	D6-45EA-54	54	63	9.81	10.31	19	46.94	46.19	23.63	24.00	65.5	6	11.5	0.625
	D5-45EA-60	D6-45EA-60	60	69	9.94	10.44	21	51.75	51.00	25.00	25.38	71.5	6	11.5	0.625
	D5-45EA-72	D6-45EA-72	72	81	9.94	10.44	25	61.38	72.88	26.63	26.88	83.5	6	11.5	0.625

SELF-ALIGNING RETURN IDLERS - 5" & 6" DIAMETER



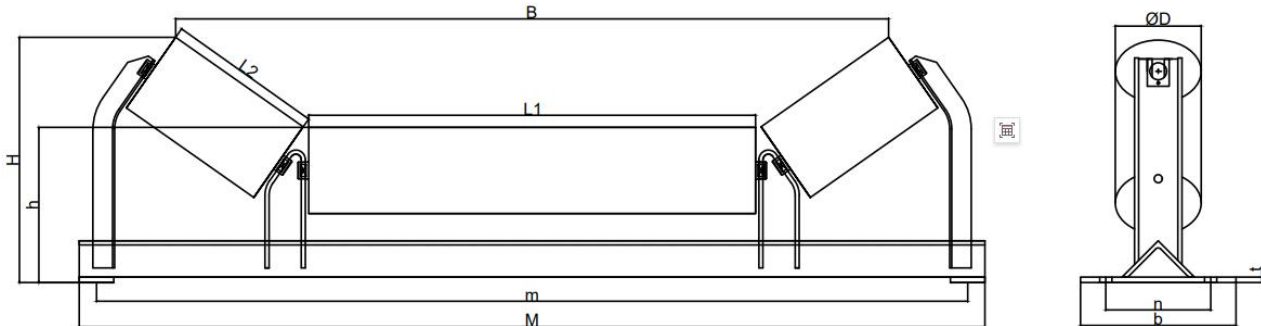
PART NUMBER		BW	A	B	C
5"	6"				
D5-RETA-24	D6-RETA-24	24	33	27	35.75
D5-RETA-30	D6-RETA-30	30	39	33	41.75
D5-RETA-36	D6-RETA-36	36	45	39	47.75
D5-RETA-42	D6-RETA-42	42	51	45	53.75
D5-RETA-48	D6-RETA-48	48	57	51	59.75
D5-RETA-54	D6-RETA-54	54	63	57	65.75
D5-RETA-60	D6-RETA-60	60	69	63	71.75
D5-RETA-72	D6-RETA-72	72	81	75	83.75

FEEDER / PICKING TROUGHING IDLERS - 5" & 6" DIAMETER



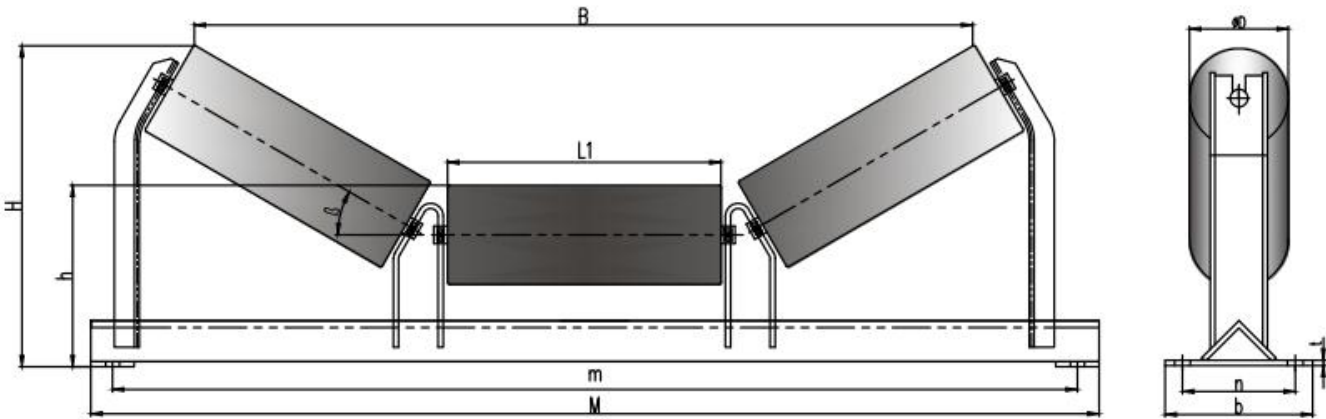
	PART NUMBER	BW	m	h	L1	L2	B	t	H	M	n	b	Bolt
5"	D5-20P-24	24	33	8.5	13	7	27.81	0.3125	11	20	6	9.5	0.625
	D5-20P-30	30	39	8.56	19	7	33.81	0.3125	11	41	6	9.5	0.625
	D5-20P-36	36	45	8.56	25	7	39.81	0.3125	11	47	6	9.5	0.625
	D5-20P-42	42	51	8.94	31	7	46.00	0.3125	11.06	53	6	9.5	0.625
	D5-20P-48	48	57	8.94	37	7	52.00	0.3125	11.06	59	6	9.5	0.625
	D5-20P-54	54	63	9.31	43	7	58.13	0.375	11.13	65.5	9	11	0.625
	D5-20P-60	60	69	9.31	49	7	64.13	0.375	11.13	71.5	9	11	0.625
D5-20P-72	72	81	9.31	61	7	76.13	0.375	11.13	83.5	9	11	0.625	
6"	D6-20P-24	24	33	9	13	7	27.5	0.3125	11.44	35	6	9.5	0.5
	D6-20P-30	30	39	9.06	19	7	33.5	0.3125	11.44	41	6	9.5	0.5
	D6-20P-36	36	45	9.06	25	7	39.5	0.3125	11.44	47	6	9.5	0.5
	D6-20P-42	42	51	9.44	31	7	45.75	0.3125	11.56	53	6	9.5	0.625
	D6-20P-48	48	57	9.44	37	7	51.75	0.3125	11.56	59	6	9.5	0.625
	D6-20P-54	54	63	9.81	43	7	58.00	0.375	11.69	65.5	9	11	0.625
	D6-20P-60	60	69	9.81	49	7	64.00	0.375	11.69	71.5	9	11	0.625
D6-20P-72	72	81	9.81	61	7	76.00	0.375	11.69	83.5	9	11	0.625	

TROUGHING IDLER (UNEQUAL LENGTH ROLLERS) - 5" & 6" DIAMETER



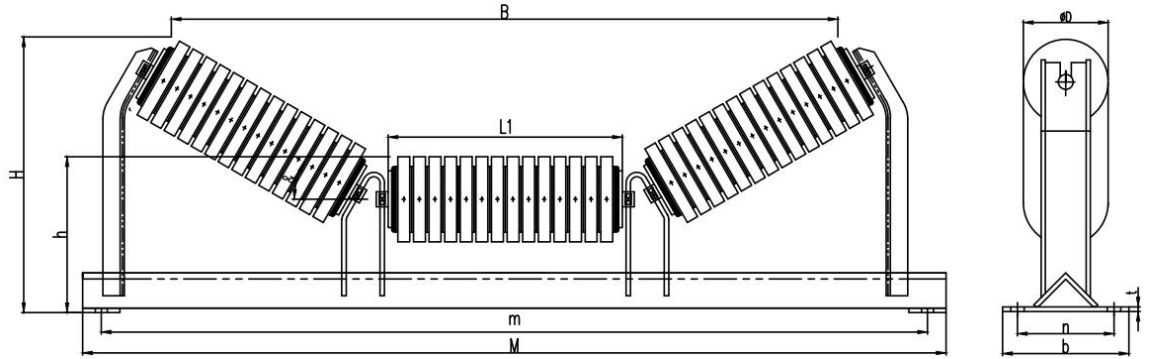
	35° PART NUMBER	45° PART NUMBER	BW	m	h	L1		L2	B		t	H		M	n	b
						35°	45°		35°	45°		35°	45°			
5"	D5-35U-30	D5-45U-30	30	39	8.5	15	15	9	30.75	28.75	0.3125	13.75	15.06	41	6	9.5
	D5-35U-36	D5-45U-36	36	45	8.5	21	21	9	37.06	35.13	0.3125	13.75	15.06	47	6	9.5
	D5-35U-42	D5-45U-42	42	51	9	27	27	9	43.06	41.13	0.3125	13.75	15.13	53	6	9.5
	D5-35U-48	D5-45U-48	48	57	9	32	32	9	49.06	47.13	0.3125	13.75	15.13	59	6	9.5
	D5-35U-54	D5-45U-54	54	63	9.44	38	38	9	55.06	53.13	0.3125	13.88	15.25	65	9	11
	D5-35U-60	D5-45U-60	60	69	9.44	44	44	9	61.06	59.11	0.375	13.94	15.25	71.5	9	11
	D5-35U-72	D5-45U-72	72	81	9.31	56	56	9	73.00	71.06	0.375	13.94	15.25	83.5	9	11
6"	D6-35U-30	D6-45U-30	30	39	9	15	15	9	30.13	28.06	0.3125	14.25	15.44	41	6	9.5
	D6-35U-36	D6-45U-36	36	45	9	21	21	9	36.5	34.38	0.3125	14.25	15.44	47	6	9.5
	D6-35U-42	D6-45U-42	42	51	9.5	27	27	9	42.5	40.38	0.3125	14.25	15.50	53	6	9.5
	D6-35U-48	D6-45U-48	48	57	9.5	32	32	9	48.5	46.38	0.3125	14.25	15.50	59	6	9.5
	D6-35U-54	D6-45U-54	54	63	9.94	38	38	9	54.5	52.38	0.3125	14.31	15.63	65	9	11
	D6-35U-60	D6-45U-60	60	69	9.94	44	44	9	60.5	58.38	0.375	14.38	15.63	71.5	9	11
	D6-35U-72	D6-45U-72	72	81	9.94	56	56	9	72.5	70.5	0.375	14.38	15.63	83.5	9	11

TROUGHING IDLER (EQUAL LENGTH ROLLERS) - 6" & 7" DIAMETER



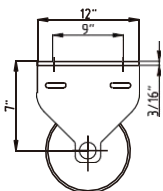
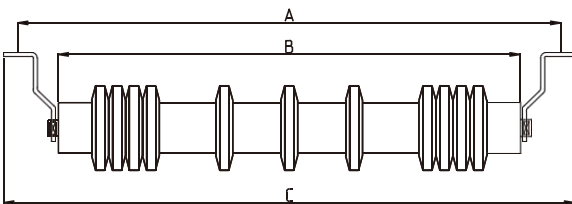
	PART NUMBER		BW	m	h		L1	B		t	H		M	n	b	Bolt
	6"	7"			6"	7"		6"	7"		6"	7"				
20°	E6-20E-36	E7-20E-36	36	45	10.75	11.25	13	39.88	40.31	0.5	15.38	15.69	47.5	9.5	12	0.75
	E6-20E-42	E7-20E-42	42	51	10.75	11.25	15	45.63	46.06	0.5	16.19	16.50	53.5	9.5	12	0.75
	E6-20E-48	E7-20E-48	48	57	10.75	11.25	18	53.31	53.75	0.5	16.94	17.25	59.5	9.5	12	0.75
	E6-20E-54	E7-20E-54	54	63	10.75	11.25	20	59.13	59.56	0.5	17.63	17.94	65.5	9.5	12	0.75
	E6-20E-60	E7-20E-60	60	69	10.75	11.25	22	65.06	65.5	0.5	18.38	18.69	71.5	9.5	12	0.75
	E6-20E-72	E7-20E-72	72	81	11.5	12	26	76.38	76.81	0.5	20.44	20.75	83.5	9.5	12	0.75
	E6-20E-84	E7-20E-84	84	93	11.75	12.25	30	88.17	88.5	0.5	22.06	22.38	95.5	12	14	0.75
	E6-20E-96	E7-20E-96	96	105	11.75	12.25	34	99.63	100.06	0.5	23.44	23.75	107.5	12	14	0.75
35°	E6-35E-36	E7-35E-36	36	45	10.75	11.25	13	35.88	36.31	0.5	18.25	18.56	47.5	9.5	12	0.75
	E6-35E-42	E7-35E-42	42	51	10.75	11.25	15	41.19	41.63	0.5	19.38	19.69	53.5	9.5	12	0.75
	E6-35E-48	E7-35E-48	48	57	10.75	11.25	18	48.44	48.88	0.5	21	21.31	59.5	9.5	12	0.75
	E6-35E-54	E7-35E-54	54	63	10.75	11.25	20	53.75	54.19	0.5	22.13	22.44	65.5	9.5	12	0.75
	E6-35E-60	E7-35E-60	60	69	10.75	11.25	22	59.00	59.44	0.5	23.25	23.56	71.5	9.5	12	0.75
	E6-35E-72	E7-35E-72	72	81	11.5	12	26	69.50	69.94	0.5	26.19	26.50	83.5	9.5	12	0.75
	E6-35E-84	E7-35E-84	84	93	11.75	12.25	30	79.69	80.13	0.5	29.06	29.38	95.5	12	14	0.75
	E6-35E-96	E7-35E-96	96	105	11.75	12.25	34	90.63	91.06	0.5	31.13	31.44	107.5	12	14	0.75
45°	E6-45E-36	E7-45E-36	36	45	10.75	11.25	13	32.38	32.81	0.5	19.88	20.19	47.5	9.5	12	0.75
	E6-45E-42	E7-45E-42	42	51	10.75	11.25	15	37.19	37.63	0.5	21.31	21.63	53.5	9.5	12	0.75
	E6-45E-48	E7-45E-48	48	57	10.75	11.25	18	43.81	44.25	0.5	23.25	23.56	59.5	9.5	12	0.75
	E6-45E-54	E7-45E-54	54	63	10.75	11.25	20	48.63	49.06	0.5	24.63	24.94	65.5	9.5	12	0.75
	E6-45E-60	E7-45E-60	60	69	10.75	11.25	22	53.5	53.94	0.5	26.06	26.38	71.5	9.5	12	0.75
	E6-45E-72	E7-45E-72	72	81	11.5	12	26	63.13	63.56	0.5	29.63	29.94	83.5	9.5	12	0.75
	E6-45E-84	E7-45E-84	84	93	11.75	12.25	30	72.81	73.25	0.5	32.75	33.06	95.5	12	14	0.75
	E6-45E-96	E7-45E-96	96	105	11.75	12.25	34	82.25	82.69	0.5	35.56	35.87	107.5	12	14	0.75

RUBBER CUSHION IMPACT TROUGHING IDLER- 6" & 7" DIAMETER



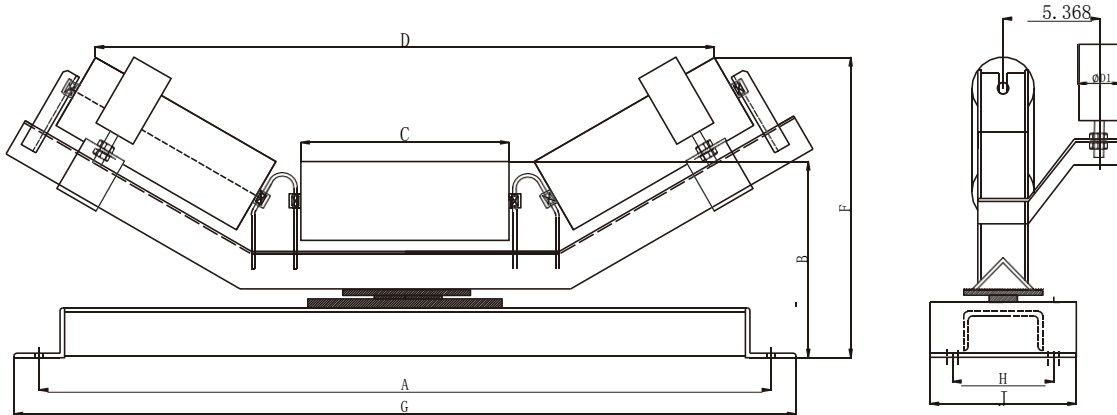
	PART NUMBER		BW	m	h		L1	B	t	H		M	n	b	Bolt
	6"	7"			6"	7"				6"	7"				
20°	E6-20EI-36	E7-20EI-36	36	45	10.75	11.25	13	41	0.5	15.38	15.69	47.5	9.5	12	0.75
	E6-20EI-42	E7-20EI-42	42	51	10.75	11.25	15	46.75	0.5	16.19	16.50	53.5	9.5	12	0.75
	E6-20EI-48	E7-20EI-48	48	57	10.75	11.25	18	54.44	0.5	16.94	17.25	59.5	9.5	12	0.75
	E6-20EI-54	E7-20EI-54	54	63	10.75	11.25	20	60.25	0.5	17.63	17.94	65.5	9.5	12	0.75
	E6-20EI-60	E7-20EI-60	60	69	10.75	11.25	22	66.19	0.5	18.38	18.69	71.5	9.5	12	0.75
	E6-20EI-72	E7-20EI-72	72	81	11.5	12	26	77.5	0.5	20.44	20.75	83.5	9.5	12	0.75
	E6-20EI-84	E7-20EI-84	84	93	11.75	12.25	30	89.19	0.5	22.06	22.38	95.5	12	14	0.75
	E6-20EI-96	E7-20EI-96	96	105	11.75	12.25	34	100.75	0.5	23.44	23.75	107.5	12	14	0.75
35°	E6-35EI-36	E7-35EI-36	36	45	10.75	11.25	13	37.13	0.5	18.25	18.56	47.5	9.5	12	0.75
	E6-35EI-42	E7-35EI-42	42	51	10.75	11.25	15	42.44	0.5	19.38	19.69	53.5	9.5	12	0.75
	E6-35EI-48	E7-35EI-48	48	57	10.75	11.25	18	49.69	0.5	21.00	21.31	59.5	9.5	12	0.75
	E6-35EI-54	E7-35EI-54	54	63	10.75	11.25	20	55.00	0.5	22.13	22.44	65.5	9.5	12	0.75
	E6-35EI-60	E7-35EI-60	60	69	10.75	11.25	22	60.25	0.5	23.25	23.56	71.5	9.5	12	0.75
	E6-35EI-72	E7-35EI-72	72	81	11.5	12	26	70.75	0.5	26.19	26.50	83.5	9.5	12	0.75
	E6-35EI-84	E7-35EI-84	84	93	11.75	12.25	30	81.94	0.5	29.06	29.38	95.5	12	14	0.75
	E6-35EI-96	E7-35EI-96	96	105	11.75	12.25	34	91.88	0.5	31.13	31.44	107.5	12	14	0.75
45°	E6-45EI-36	E7-45EI-36	36	45	10.75	11.25	13	33.88	0.5	19.88	20.19	47.5	9.5	12	0.75
	E6-45EI-42	E7-45EI-42	42	51	10.75	11.25	15	38.69	0.5	21.31	21.63	53.5	9.5	12	0.75
	E6-45EI-48	E7-45EI-48	48	57	10.75	11.25	18	45.31	0.5	23.25	23.56	59.5	9.5	12	0.75
	E6-45EI-54	E7-45EI-54	54	63	10.75	11.25	20	50.13	0.5	24.63	24.94	65.5	9.5	12	0.75
	E6-45EI-60	E7-45EI-60	60	69	10.75	11.25	22	55.00	0.5	26.06	26.38	71.5	9.5	12	0.75
	E6-45EI-72	E7-45EI-72	72	81	11.5	12	26	64.63	0.5	29.63	29.94	83.5	9.5	12	0.75
	E6-45EI-84	E7-45EI-84	84	93	11.75	12.25	30	74.31	0.5	32.75	33.06	95.5	12	14	0.75
	E6-45EI-96	E7-45EI-96	96	105	11.75	12.25	34	83.75	0.5	35.56	35.88	107.5	12	14	0.75

6" & 7" DIAMETER - RUBBER CUSHION RETURN IDLERS



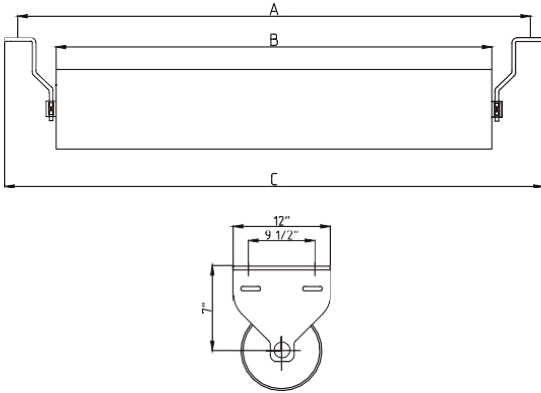
6" PART NUMBER	7" PART NUMBER	BW	A	B	C
E6-RETI-36	E7-RETI-36	36	45	38	48
E6-RETI-42	E7-RETI-42	42	51	44	54
E6-RETI-48	E7-RETI-48	48	57	50	60
E6-RETI-54	E7-RETI-54	54	63	56	66
E6-RETI-60	E7-RETI-60	60	69	62	72
E6-RETI-72	E7-RETI-72	72	81	74	84
E6-RETI-84	E7-RETI-84	84	93	86	96
E6-RETI-96	E7-RETI-96	96	105	98	108

SELF-ALIGNING TROUGHING IDLER- 6" & 7" DIAMETER



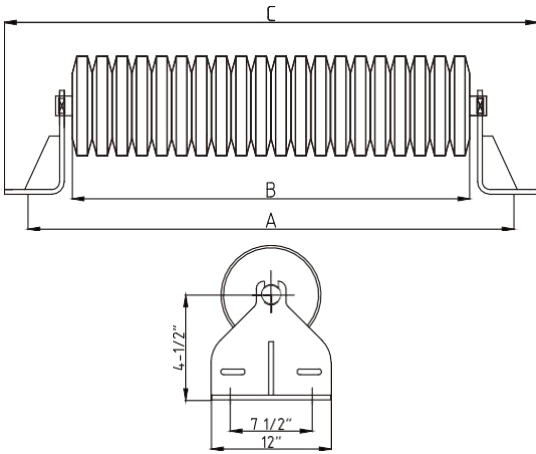
	PART NUMBER		BW	A	B		C	D	F		G	H	J	Bolt
	6"	7"			6"	7"			6"	7"				
20°	E6-20EA-36	E7-20EA-36	36	45	9.88	12.38	13	21.31	12.31	.81	47.5	9.5	11.5	0.625
	E6-20EA-42	E7-20EA-42	42	51	9.88	12.38	15	27.06	13.00	17.13	53.5	9.5	11.5	0.625
	E6-20EA-48	E7-20EA-48	48	57	9.94	12.38	18	32.81	13.75	18.38	59.5	9.5	11.5	0.625
	E6-20EA-54	E7-20EA-54	54	63	9.94	12.38	20	38.56	14.44	19.06	65.5	9.5	11.5	0.625
	E6-20EA-60	E7-20EA-60	60	69	10.31	12.38	22	44.31	15.50	19.19	71.5	9.5	11.5	0.625
	E6-20EA-72	E7-20EA-72	72	81	10.31	13.13	26	50.06	16.19	21.88	83.5	9.5	11.5	0.625
	E6-20EA-84	E7-20EA-84	84	93	10.44	13.13	30	55.81	17.00	23.50	95.5	12	11.5	0.625
	E6-20EA-96	E7-20EA-96	96	105	10.44	13.13	34	61.56	17.69	24.88	107.5	12	11.5	0.625
35°	E6-35EA-36	E7-35EA-36	36	45	9.88	12.38	13	55.19	14.06	19.69	47.5	9.5	11.5	0.625
	E6-35EA-42	E7-35EA-42	42	51	9.88	12.38	15	60.69	15.25	20.81	53.5	9.5	11.5	0.625
	E6-35EA-48	E7-35EA-48	48	57	9.94	12.38	18	67.88	16.44	22.44	59.5	9.5	11.5	0.625
	E6-35EA-54	E7-35EA-54	54	63	9.94	12.38	20	73.13	17.56	23.56	65.5	9.5	11.5	0.625
	E6-35EA-60	E7-35EA-60	60	69	10.31	12.38	22	78.44	19.06	24.69	71.5	9.5	11.5	0.625
	E6-35EA-72	E7-35EA-72	72	81	10.31	13.13	26	88.44	20.25	27.63	83.5	9.5	11.5	0.625
	E6-35EA-84	E7-35EA-84	84	93	10.44	13.13	30	99.50	21.50	30.50	95.5	12	11.5	0.625
	E6-35EA-96	E7-35EA-96	96	105	10.44	13.13	34	110.06	22.69	32.56	107.5	12	11.5	0.625
45°	E6-45EA-36	E7-45EA-36	36	45	9.88	12.38	13	57.38	14.88	21.31	47.5	9.5	11.5	0.625
	E6-45EA-42	E7-45EA-42	42	51	9.88	12.38	15	62.25	16.31	22.75	53.5	9.5	11.5	0.625
	E6-45EA-48	E7-45EA-48	48	57	9.94	12.38	18	68.88	17.75	24.69	59.5	9.5	11.5	0.625
	E6-45EA-54	E7-45EA-54	54	63	9.94	12.38	20	73.69	19.13	26.06	65.5	9.5	11.5	0.625
	E6-45EA-60	E7-45EA-60	60	69	10.31	12.38	22	78.50	20.94	27.50	71.5	9.5	11.5	0.625
	E6-45EA-72	E7-45EA-72	72	81	10.31	13.13	26	88.19	22.38	31.06	83.5	9.5	11.5	0.625
	E6-45EA-84	E7-45EA-84	84	93	10.44	13.13	30	97.81	23.88	34.19	95.5	12	11.5	0.625
	E6-45EA-96	E7-45EA-96	96	105	10.44	13.13	34	104.88	25.31	37.00	107.5	12	11.5	0.625

RETURN IDLERS - 6" & 7" DIAMETER



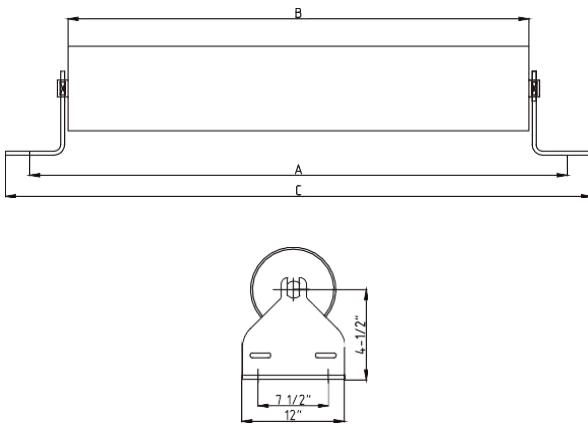
6" PART NUMBER	7" PART NUMBER	BW	A	B	C
E6-RET-36	E7-RET-36	36	45	39	47.5
E6-RET-42	E7-RET-42	42	51	45	53.5
E6-RET-48	E7-RET-48	48	57	51	59.5
E6-RET-54	E7-RET-54	54	63	57	65.5
E6-RET-60	E7-RET-60	60	69	63	71.5
E6-RET-72	E7-RET-72	72	81	75	83.5
E6-RET-84	E7-RET-84	84	93	87	95.5
E6-RET-96	E7-RET-96	96	105	99	107.5

RUBBER CUSHION FLAT IDLERS - 6" & 7" DIAMETER



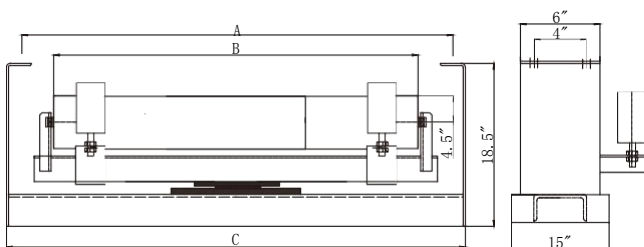
6" PART NUMBER	7" PART NUMBER	BW	A	B	C
E6-FLTI-36	E7-FLTI-36	36	45	38	47.5
E6-FLTI-42	E7-FLTI-42	42	51	44	53.5
E6-FLTI-48	E7-FLTI-48	48	57	50	59.5
E6-FLTI-54	E7-FLTI-54	54	63	56	65.5
E6-FLTI-60	E7-FLTI-60	60	69	62	71.5
E6-FLTI-72	E7-FLTI-72	72	81	74	83.5
E6-FLTI-84	E7-FLTI-84	84	93	86	95.5
E6-FLTI-96	E7-FLTI-96	96	105	98	107.5

FLAT IDLERS - 6" & 7" DIAMETER



6" PART NUMBER	7" PART NUMBER	BW	A	B	C
E6-FLT-36	E7-FLT-36	36	45	39	47.5
E6-FLT-42	E7-FLT-42	42	51	45	53.5
E6-FLT-48	E7-FLT-48	48	57	51	59.5
E6-FLT-54	E7-FLT-54	54	63	57	65.5
E6-FLT-60	E7-FLT-60	60	69	63	71.5
E6-FLT-72	E7-FLT-72	72	81	75	83.5
E6-FLT-84	E7-FLT-84	84	93	87	95.5
E6-FLT-96	E7-FLT-96	96	105	99	107.5

RETURN ALIGNING IDLERS - 6" & 7" DIAMETER



6" PART NUMBER	7" PART NUMBER	BW	A	B	C
E6-RETA-36	E7-RETA-36	36	45	39	48.5
E6-RETA-42	E7-RETA-42	42	51	45	54.5
E6-RETA-48	E7-RETA-48	48	57	51	60.5
E6-RETA-54	E7-RETA-54	54	63	57	66.5
E6-RETA-60	E7-RETA-60	60	69	63	72.5
E6-RETA-72	E7-RETA-72	72	81	75	84.5
E6-RETA-84	E7-RETA-84	84	93	87	96.5
E6-RETA-96	E7-RETA-96	96	105	99	108.5

CEMA B REPLACEMENT IDLER ROLLERS:

	Belt Width	Assembled Roll Approx. Length	4" Dia.Roll Part Number	5" Dia Roll Part Number
Equal Length Idler Rolls	14 & 16	6	B4-14	B5-14
	18	7	B4-18	B5-18
	20	8	B4-20	B5-20
	24	9	B4-24	B5-24
	30	11	B4-30	B5-30
	36	13	B4-36	B5-36
	42	15	B4-42	B5-42
	48	17	B4-48	B5-48
Rubber Impact Idler Rolls	18	7	B4-EI-18	B5-EI-18
	20	8	B4-EI-20	B5-EI-20
	24	9	B4-EI-24	B5-EI-24
	30	11	B4-EI-30	B5-EI-30
	36	13	B4-EI-36	B5-EI-36
	42	15	B4-EI-42	B5-EI-42
	48	17	B4-EI-48	B5-EI-48

CEMA C REPLACEMENT IDLER ROLLERS:

	Belt Width	Assembled Roll Approx. Length	4" Dia.Roll Part Number	5" Dia Roll Part Number	6" Dia Roll Part Number
Equal Length Idler Rolls	18	7	C4-18	C5-18	C6-18
	24	9	C4-24	C5-24	C6-24
	30	11	C4-30	C5-30	C6-30
	36	13	C4-36	C5-36	C6-36
	42	15	C4-42	C5-42	C6-42
	48	17	C4-48	C5-48	C6-48
	54	19	C4-54	C5-54	C6-54
	60	21	C4-60	C5-60	C6-60
Rubber Impact Idler Rolls	18	7	C4-EI-18	C5-EI-18	C6-EI-18
	24	9	C4-EI-24	C5-EI-24	C6-EI-24
	30	11	C4-EI-30	C5-EI-30	C6-EI-30
	36	13	C4-EI-36	C5-EI-36	C6-EI-36
	42	15	C4-EI-42	C5-EI-42	C6-EI-42
	48	17	C4-EI-48	C5-EI-48	C6-EI-48
	54	19	C4-EI-54	C5-EI-54	C6-EI-54
	60	21	C4-EI-60	C5-EI-60	C6-EI-60

CEMA D REPLACEMENT IDLER ROLLS

	Belt Width	Assembled Roll Approx. Length	5" Dia.Roll Part Number	6" Dia Roll Part Number
Equal Length Idler Rolls	18	7	D5-18	D6-18
	24	9	D5-24	D6-24
	30	11	D5-30	D6-30
	36	13	D5-36	D6-36
	42	15	D5-42	D6-42
	48	17	D5-48	D6-48
	54	19	D5-54	D6-54
	60	21	D5-60	D6-60
	72	25	D5-72	D6-72
Rubber Impact Idler Rolls	18	7	D5-EI-18	D6-EI-18
	24	9	D5-EI-24	D6-EI-24
	30	11	D5-EI-30	D6-EI-30
	36	13	D5-EI-36	D6-EI-36
	42	15	D5-EI-42	D6-EI-42
	48	17	D5-EI-48	D6-EI-48
	54	19	D5-EI-54	D6-EI-54
	60	21	D5-EI-60	D6-EI-60
	72	25	D5-EI-72	D6-EI-72

CEMA E REPLACEMENT IDLER ROLLS

	Belt Width	Assembled Roll Approx. Length	6" Dia.Roll Part Number	7" Dia Roll Part Number
Equal Length Idler Rolls	36	13	E6-36	E7-36
	42	15	E6-42	E7-42
	48	18	E6-48	E7-48
	54	20	E6-54	E7-54
	60	22	E6-60	E7-60
	72	26	E6-72	E7-72
	84	30	E6-84	E7-84
	96	34	E6-96	E7-96
Rubber Impact Idler Rolls	36	13	E6-EI-36	E7-EI-36
	42	15	E6-EI-42	E7-EI-42
	48	18	E6-EI-48	E7-EI-48
	54	20	E6-EI-54	E7-EI-54
	60	22	E6-EI-60	E7-EI-60
	72	26	E6-EI-72	E7-EI-72
	84	30	E6-EI-84	E7-EI-84
	96	34	E6-EI-96	E7-EI-96

Hebei TongXiang Conveyor Machinery Co.,Ltd.

Add: No.8 Chuangye Road, Zaoqiang County, Hengshui City, Hebei Province,China 053000

Tel: +86-311-6656 0874 / 6656 0831

Mobile: +86-136 0321 6223

Email: sales@txroller.com

Website: www.txroller.com

